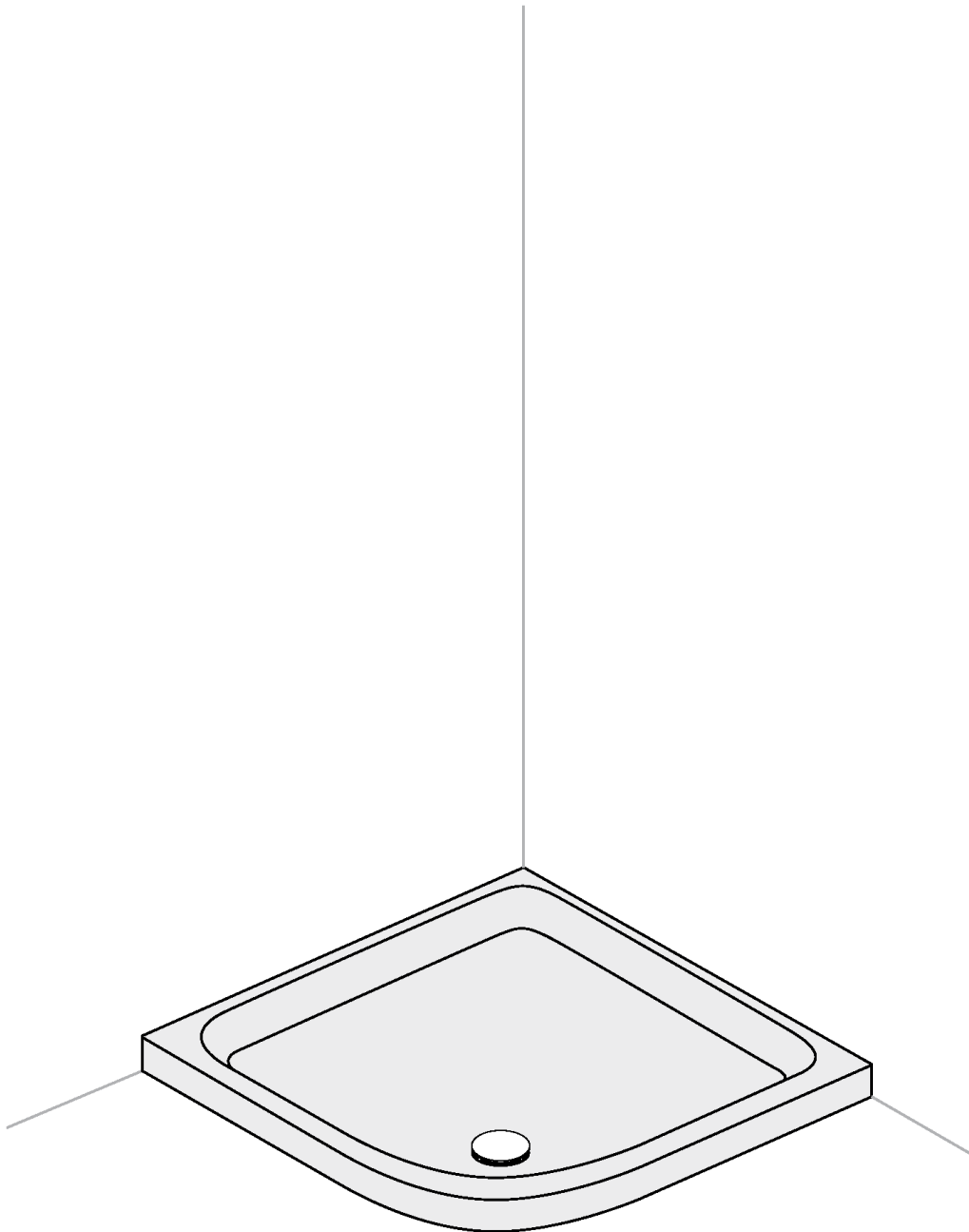


**mistley**

BATHROOM GLASS

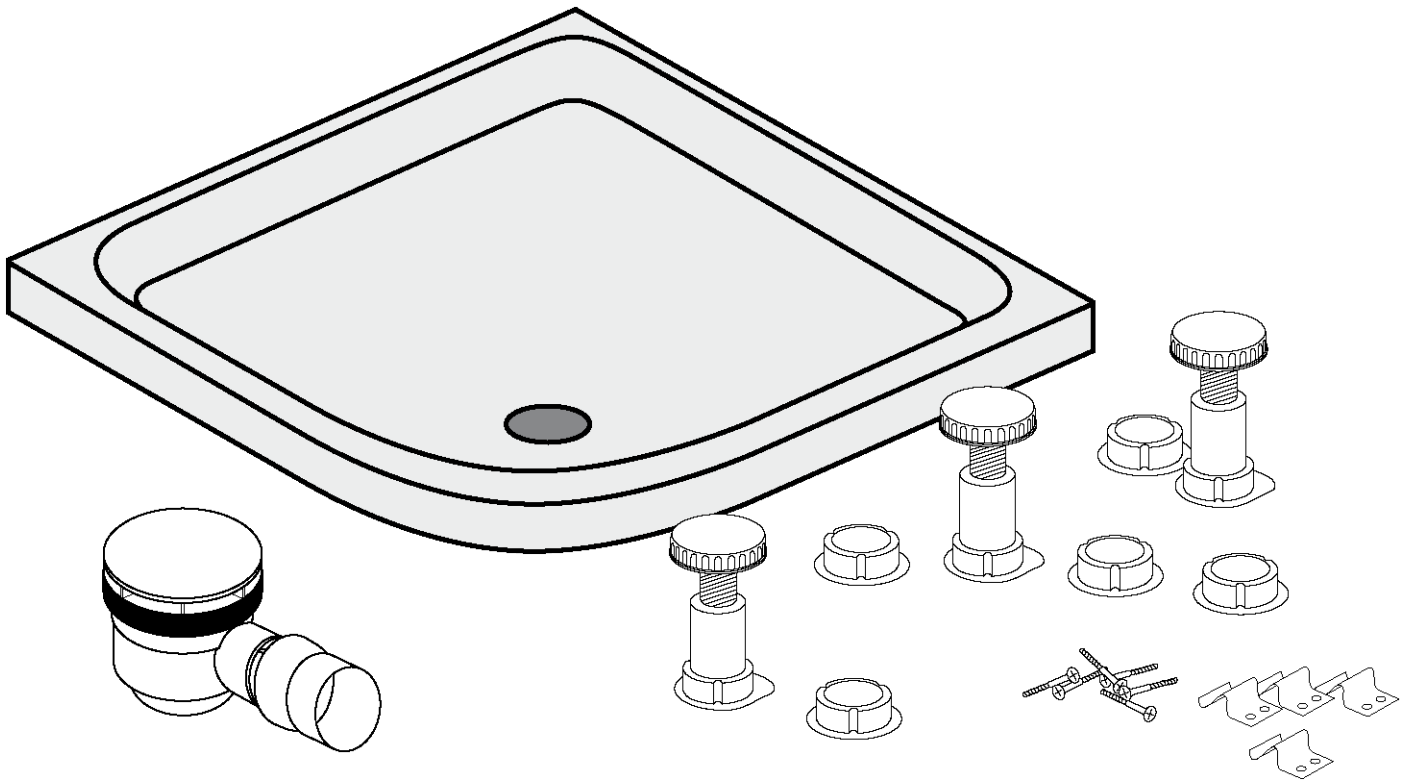
## Installation Guide Spirit Quadrant Tray



**mistley**

**Mistley Bathroom Glass Limited**  
No 4 One Mistley Quayside, High Street  
Mistley, Essex CO11 1AL England

Telephone + 44 (0) 1206 392 227  
Facsimile + 44 (0) 1206 392 011  
info@mistleybathroomglass.co.uk  
www.mistleybathroomglass.co.uk



## 900 X 900 SHOWER TRAY

### THIS BOX SHOULD CONTAIN THE FOLLOWING:

Spirit quadrant tray	x1	
Shower trap unit	x1	
Cover panel	x1	
Cover panel clip	x3	
Adjustable leg	x10	
Support Spacer Kit	x8	
Self-drilling screw	x32	

### TOOLS REQUIRED:

Spirit level  
Pencil  
Silicone

*When fitting flat to the floor:*

BAL two-part Fastflex tile adhesive, Power screwdriver with Philips head

### The Tray:

Check tray for any damage before fitting – damaged trays cannot be exchanged once fitted.

The tray can be installed either flat to the floor (A), or raised above the floor on legs with a cover panel (B). Clients often prefer flat-to-the-floor installation, under-floor waste removal may be required for this configuration.

### Wall Tiling:

Wall tiling should be finished after the tray has been installed. First, seal the back edges of the tray then the outside face of the tiles should overlap the tray by exactly 12mm, as marked by the black strips.

### The Enclosure:

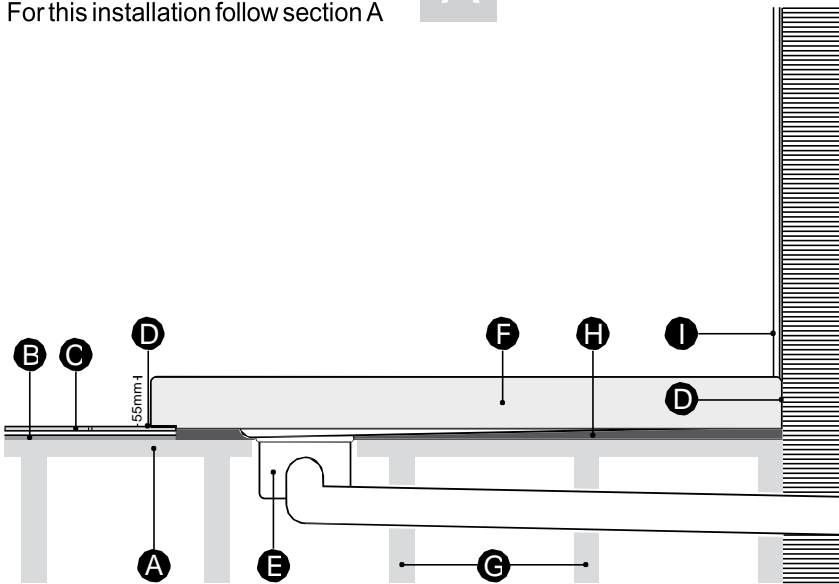
Preparation of the shower area before tiling should include checking:

- That the brackets and hinges can be screwed securely to the walls
- That the walls are correctly vertical where the fixed panel will be positioned and where the door will be hung
- That the floor is level and the back and side wall angle is 90 degrees
- That any floorboards are secured properly
- That the area is dry and clear of dust and debris

## Flat to floor

For this installation follow section A

A

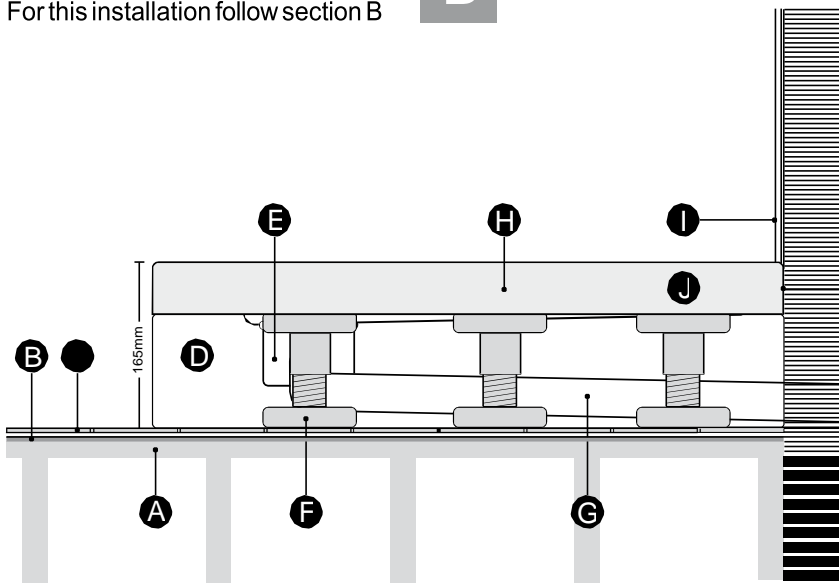


- A Floor boards
- B 6mm waterproof tiling board
- C 10mm floor tiles and bed
- D Silicone seal to wall
- E Dallmer Orio shower trap
- F Elegance Tray
- G Joists drilled for waste pipe
- H BAL 2 part fastflex tile adhesive
- I Wall tiles and bed

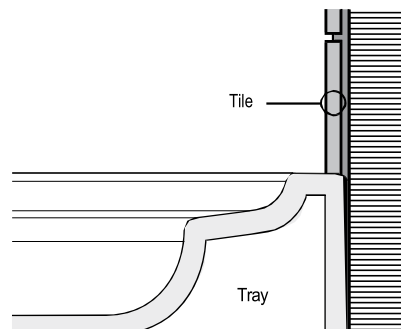
## Raised above floor

For this installation follow section B

B



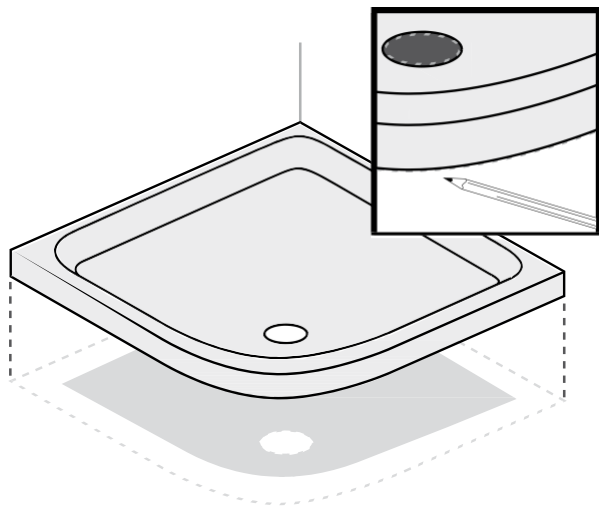
- A Floor boards
- B 6mm waterproof tiling board
- C 10mm floor tiles and bed
- D Cover panel
- E Dallmer Orio shower trap
- F Adjustable feet
- G Waste pipe above floor
- H Elegance tray
- I Wall tiles and bed
- J Silicone seal to wall



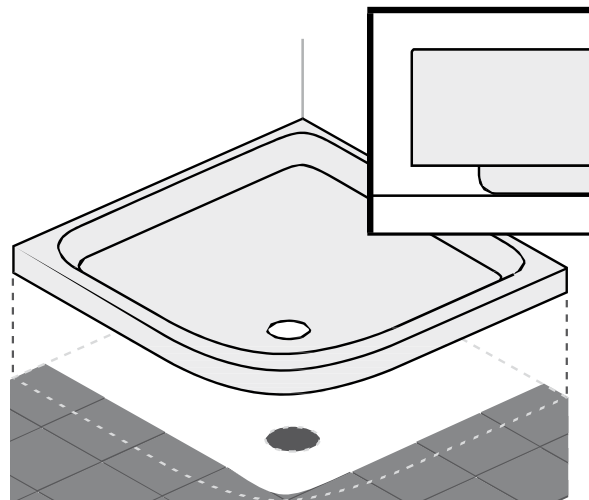
**mistley**

**Mistley Bathroom Glass Limited**  
 No 4 One Mistley Quayside, High Street  
 Mistley, Essex CO11 1AL England

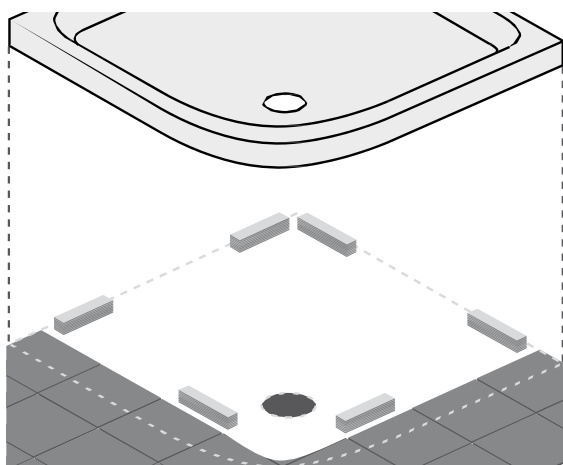
Telephone + 44 (0) 1206 392 227  
 Facsimile + 44 (0) 1206 392 011  
 info@mistleybathroomglass.co.uk  
 www.mistleybathroomglass.co.uk



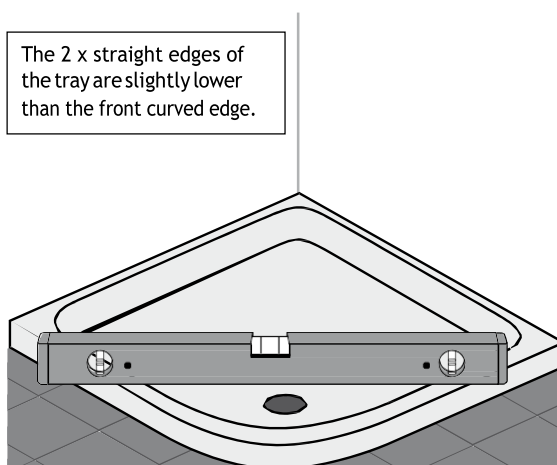
**A<sup>1</sup>** Before tiling the floor, place the tray in position; mark the outside line of the tray and the area where the adhesive is to be placed (belly area of the tray) and the waste hole.



**A<sup>2</sup>** When tiling, the tiles should come 20-30mm inside the curved edge. The front lip of the tray sits higher than the underside of the tray to allow tiles to be pushed under the lip.

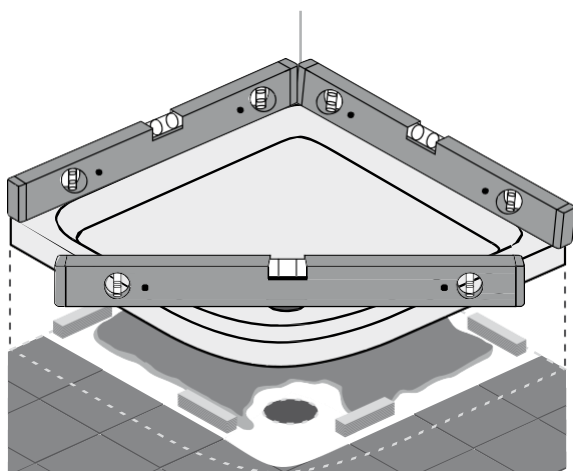


**A<sup>3</sup>** Place the tray in position and level it up using suitable materials (plastic window-fitting spacers are ideal).

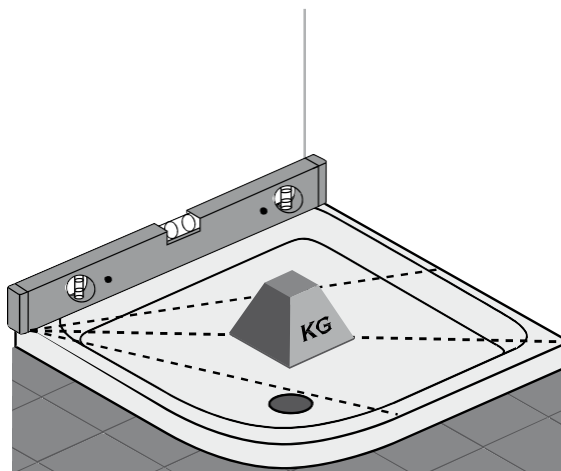


The 2 x straight edges of the tray are slightly lower than the front curved edge.

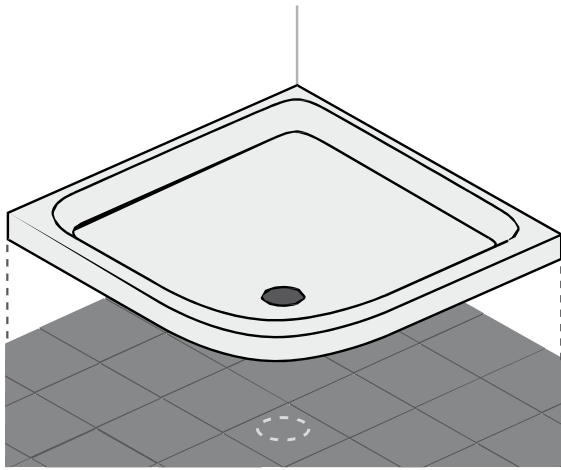
**A<sup>4</sup>** Make sure the tray is level across the curved and straight edges. Note the position of the packers and remove the tray. Fit the waste trap.



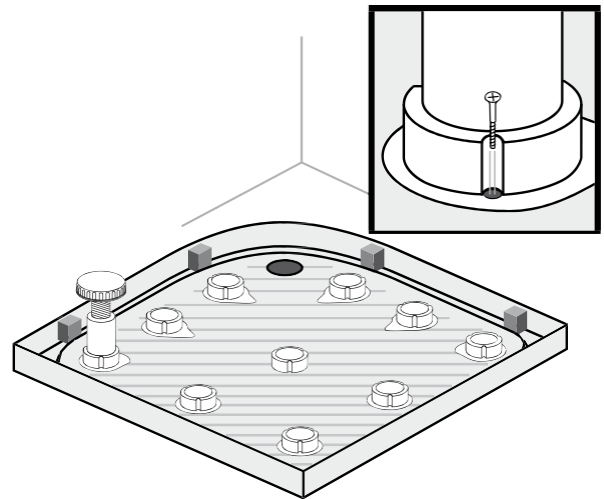
**A<sup>5</sup>** Mix the BAL Fastflex to a thick creamy consistency and apply it to the area marked on the floor. Set the tray in position, push it down onto the packers and check it is level.



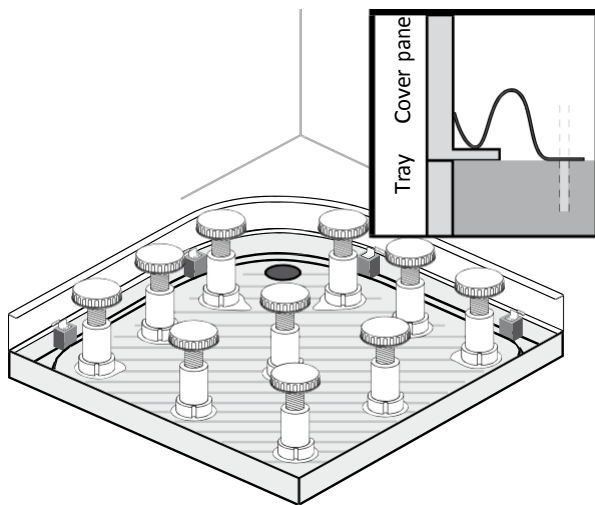
**A<sup>6</sup>** Leave the Fastflex to harden over night, making sure the tray is adequately weighed down to maintain its level.



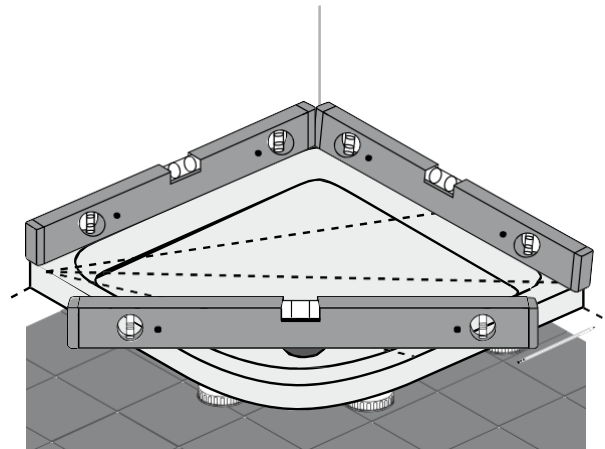
**B<sup>1</sup>** Place the tray in position and mark the position of the shower trap on the tiles. Note the position of the waste outlet.



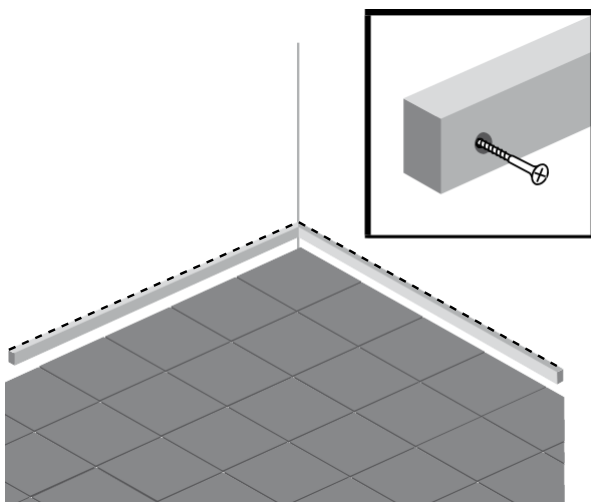
**B<sup>2</sup>** Position the ten adjustable legs on the underside of the tray as shown, and screw in place with the self-drilling screws. Make sure the legs are close to the outer edge of the tray's belly.



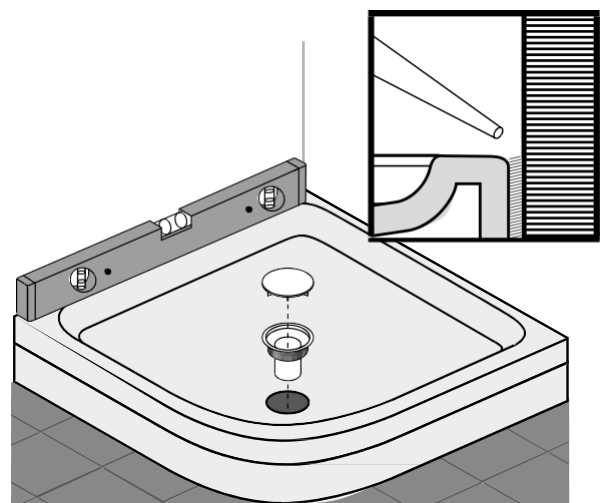
**B<sup>3</sup>** Hold the cover panel in place, and use it to position the clips that will secure it. Mark the screw holes and drill pilot holes before screwing the clips into the wooden blocks.



**B<sup>4</sup>** Place the tray in position on the floor. Using a spirit level, adjust the feet until the tray is level and all legs are in contact with the floor to distribute the weight evenly. Mark a line on the wall under the base of the tray.



**B<sup>5</sup>** Wall-mounted batons must be fitted to support the tray; use the lines marked at the base of the tray in step B4 to align them.



**B<sup>6</sup>** Finally, position the tray against the wall, sealing the back edges of the tray with a generous bead of silicone. Leave it to set for 24 hours. Fit the cover trap and then clip the cover panel into place.