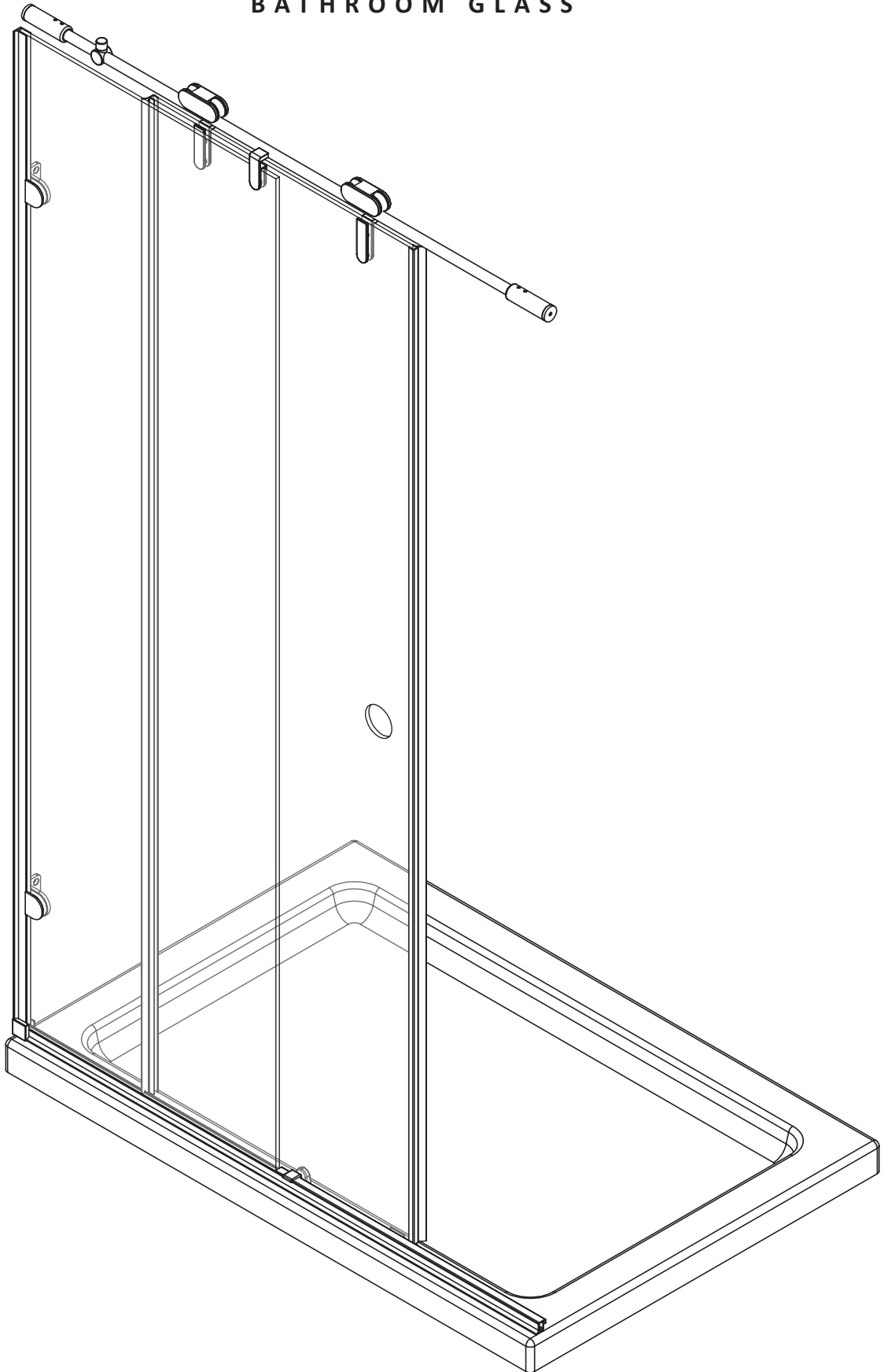


mistley

BATHROOM GLASS



Sliding Door Straight Screen: Installation Instructions
v 1.0

mistley

BATHROOM GLASS

Thank you for purchasing a Mistley shower enclosure. Please study these instructions carefully before assembly and installation and check all supplied parts immediately upon receipt (see pages I -iii).

The enclosure illustrated in these instructions has the door positioned to the right of the fixed panel. The same parts may alternatively be used to build an enclosure with the door to the left of the fixed panel. Please note however that the rail and bracket are assembled differently for each version (see page 15).

Installation Tips

The general principle of assembly is to assemble parts in the steps shown - first a dry assembly to check fits or mark cutting or drilling positions and then a final assembly with silicone.

Ensure that the tray is level in all directions before installation.

Use a good quality, full length spirit level to ensure that wall channels are perfectly upright.

When handling glass, use glass lifters and take care to ensure that corners or edges are not knocked.

All screws are supplied with chromium cover caps that should be fixed in the recesses provided with a light smear of silicone. Do not fit these until the rest of the installation is complete and you are satisfied that no further adjustments need to be made.

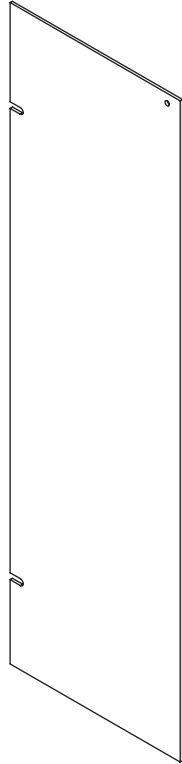
To prevent trapping of fingers in use and ensure that the door can be closed easily, position the door stop so that the handle hole in the door does not pass behind the in-line panel.

When cutting aluminium extrusion, wrap the profile with masking tape first and cut through the taped area - this will help protect the surrounding surface. Use a fine file to smooth cut edges.

Parts supplied

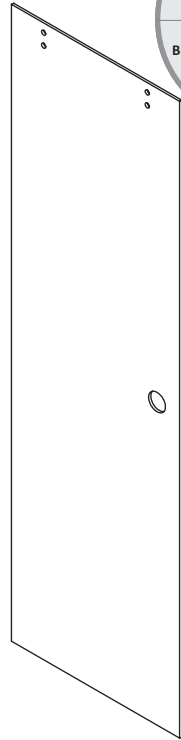


1 x



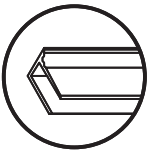
Glass In-line Panel

1 x

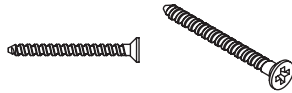


Glass Door

1 x



4 x

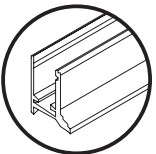


4 x



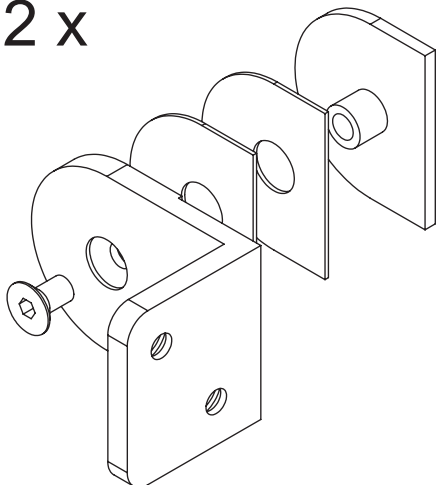
Wall Channels and Fixings

1 x

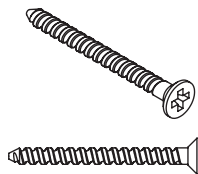


Underframe

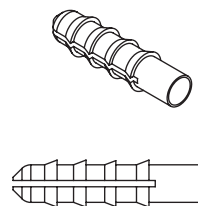
2 x



4 x

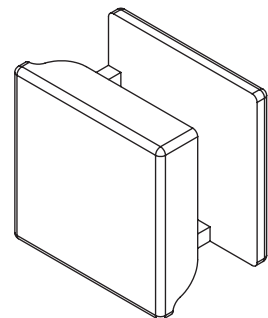


4 x



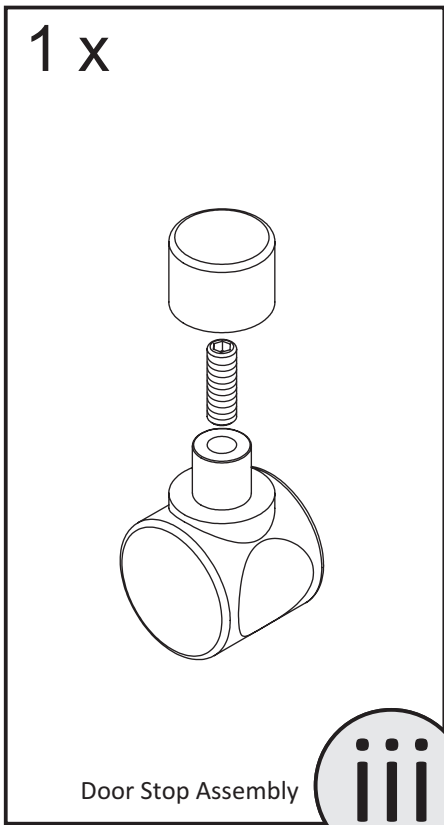
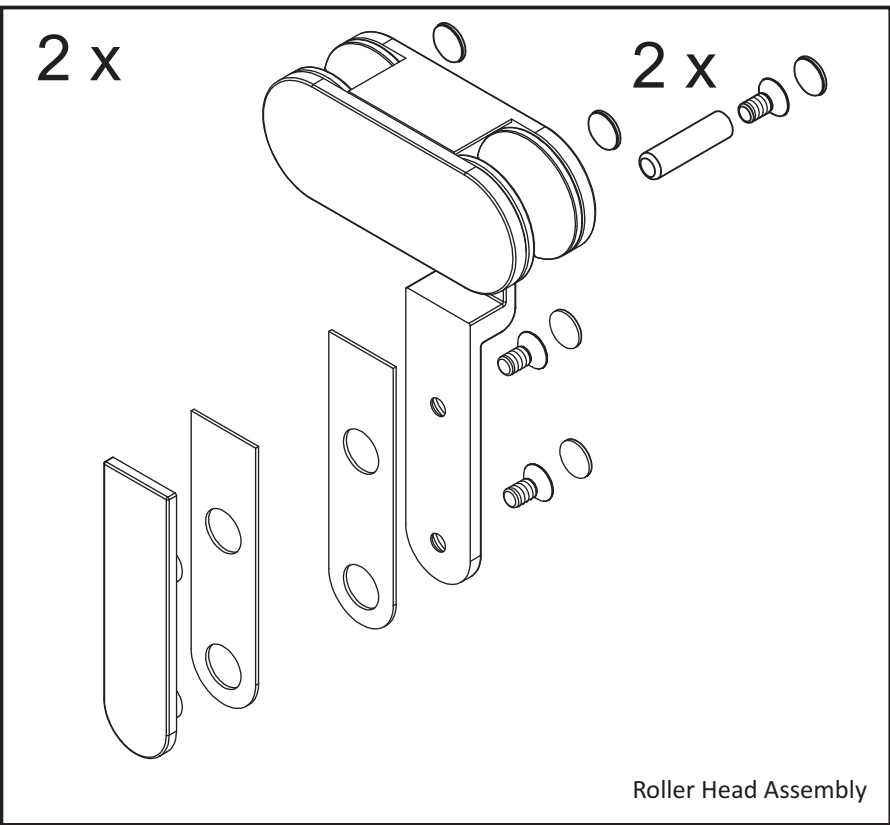
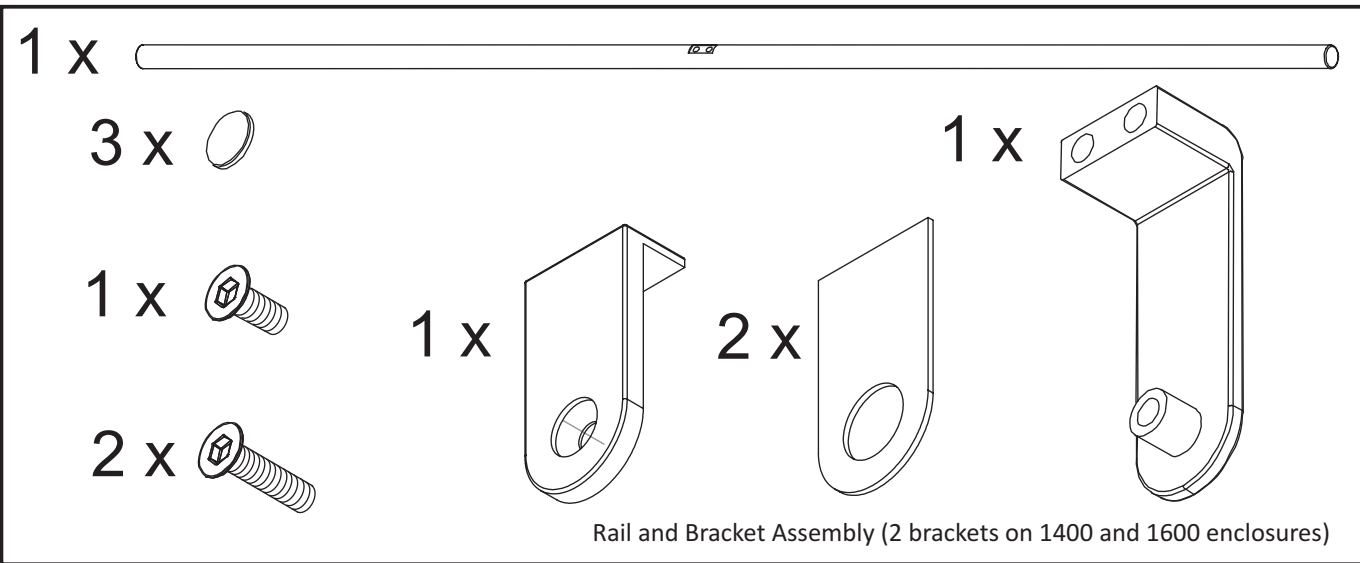
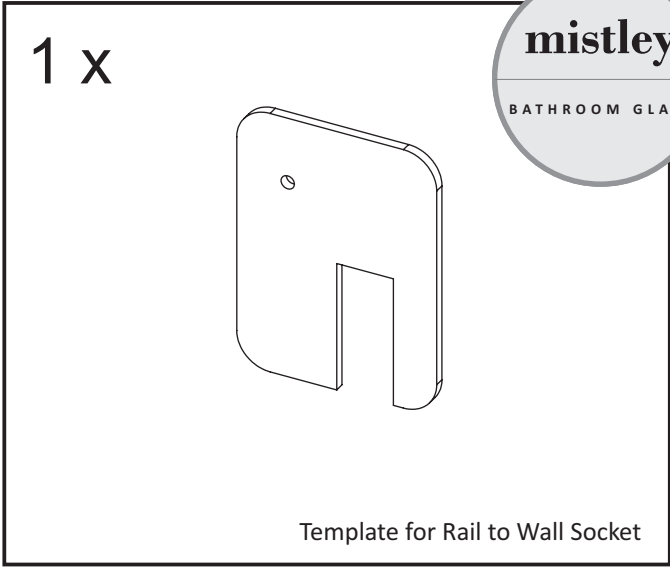
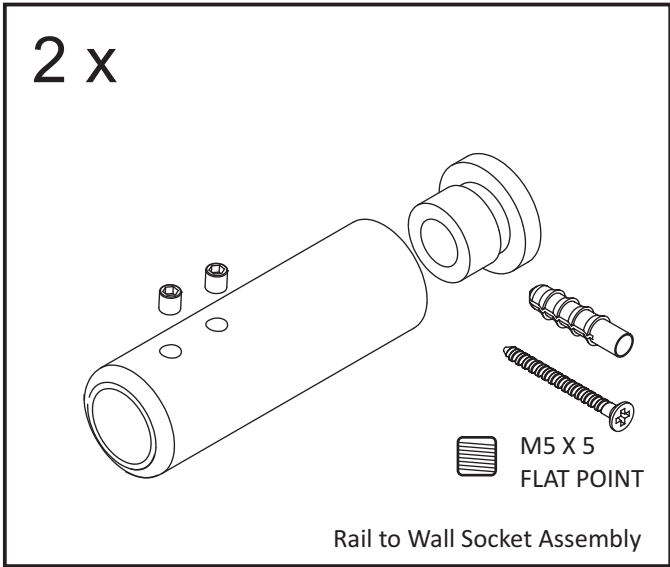
Wall Brackets and Fixings

1 x

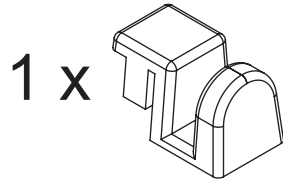
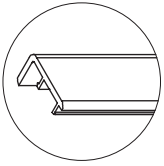
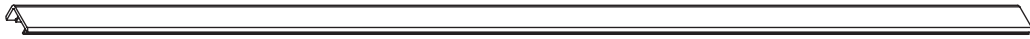


Corner Cover Plate

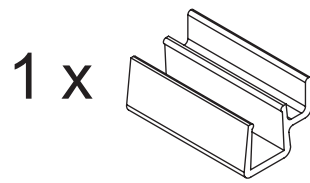




1 x Threshold Insert



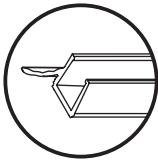
Door Guide



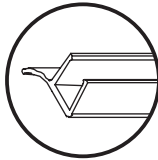
Door Retainer



1 x

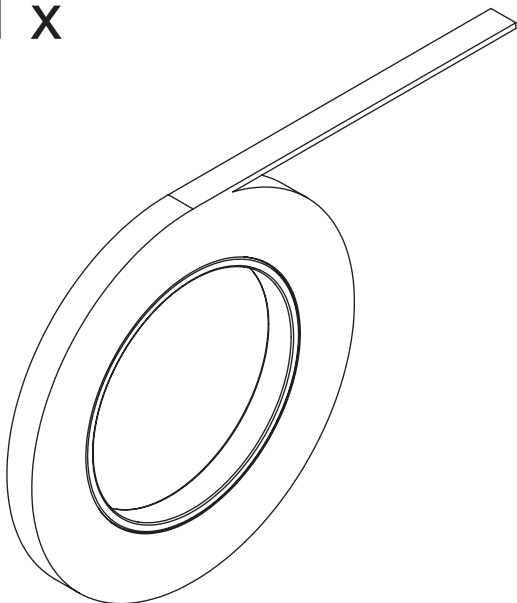


1 x



Vertical Door Seals

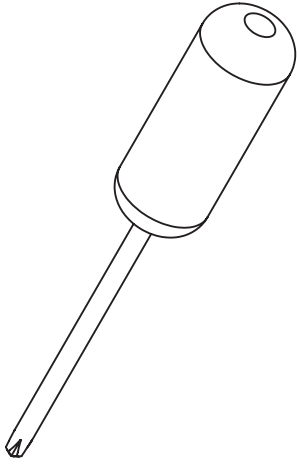
1 x



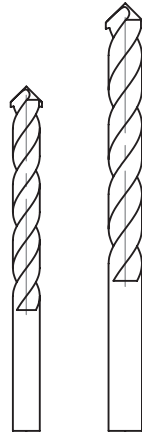
Rubber Strip for cushioning Panel into Underframe



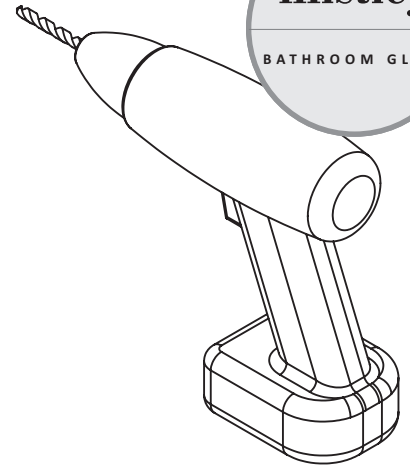
Tools required



Screwdriver



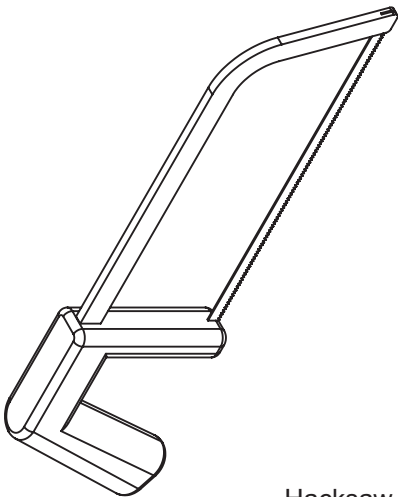
Masonry bits, 5 mm and 7 mm



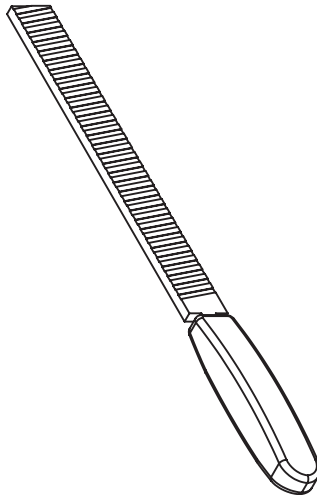
Drill



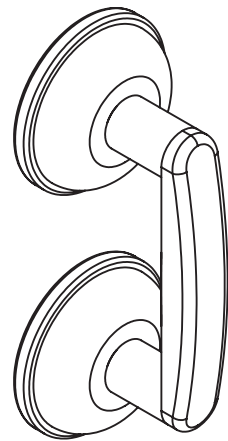
Long Spirit Level



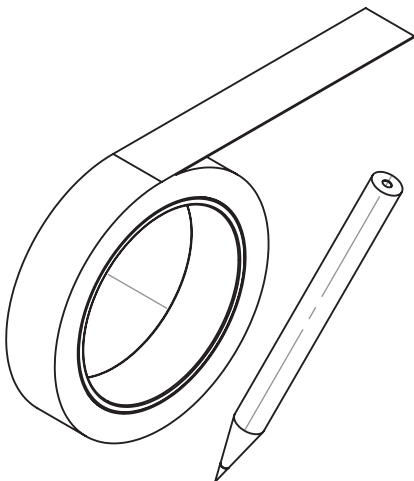
Hacksaw



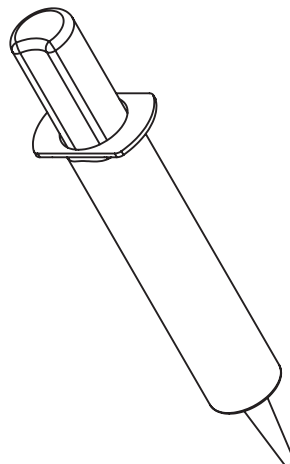
File



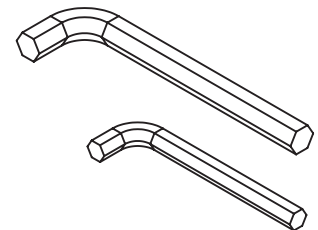
Glass Lifters



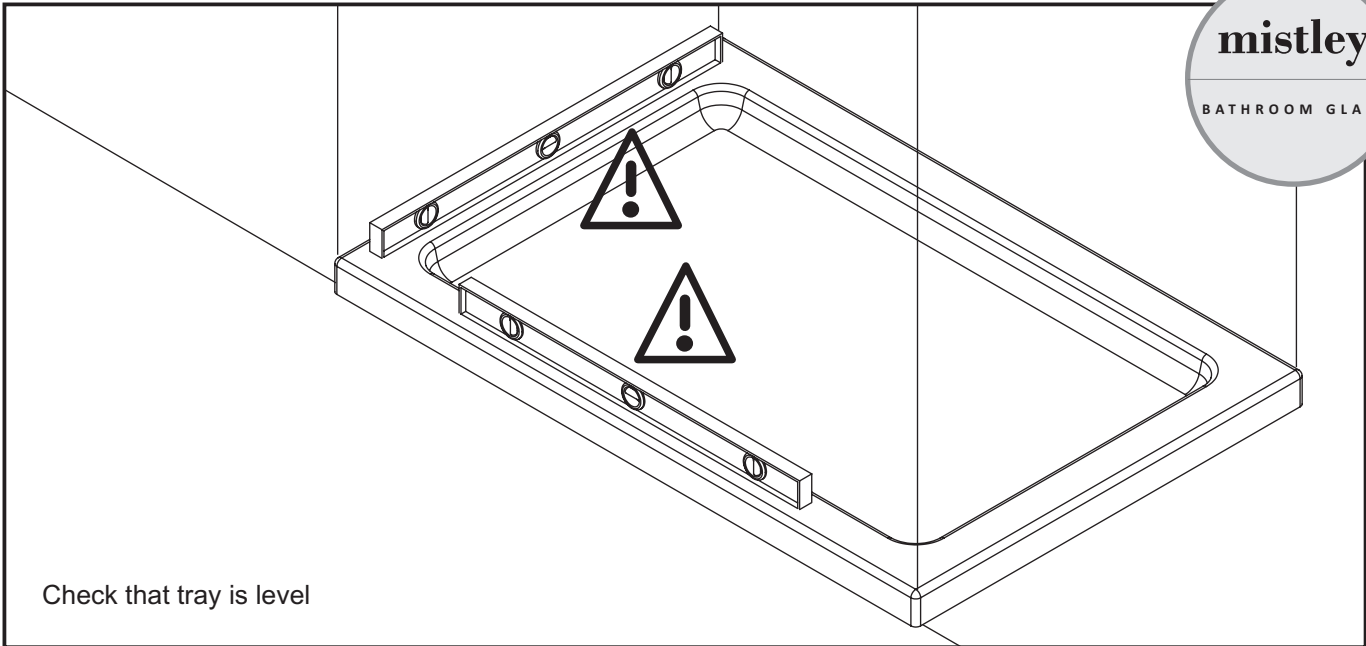
Masking Tape and Pencil



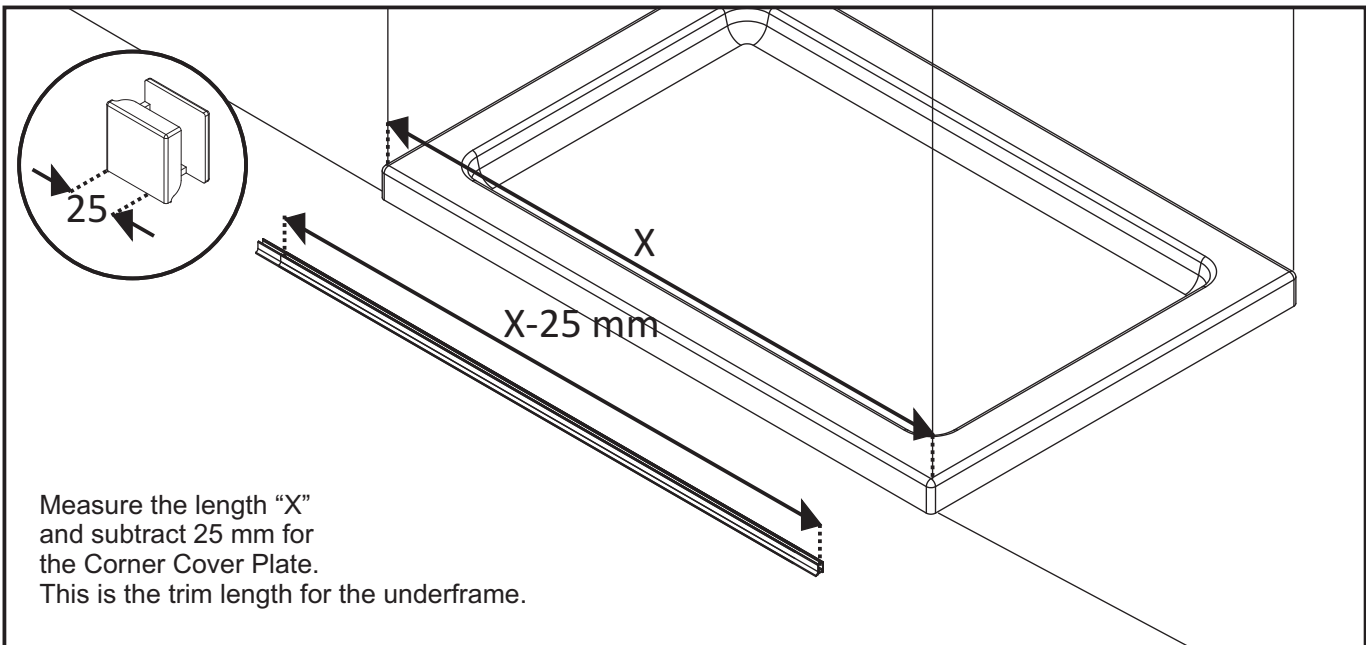
Silicone



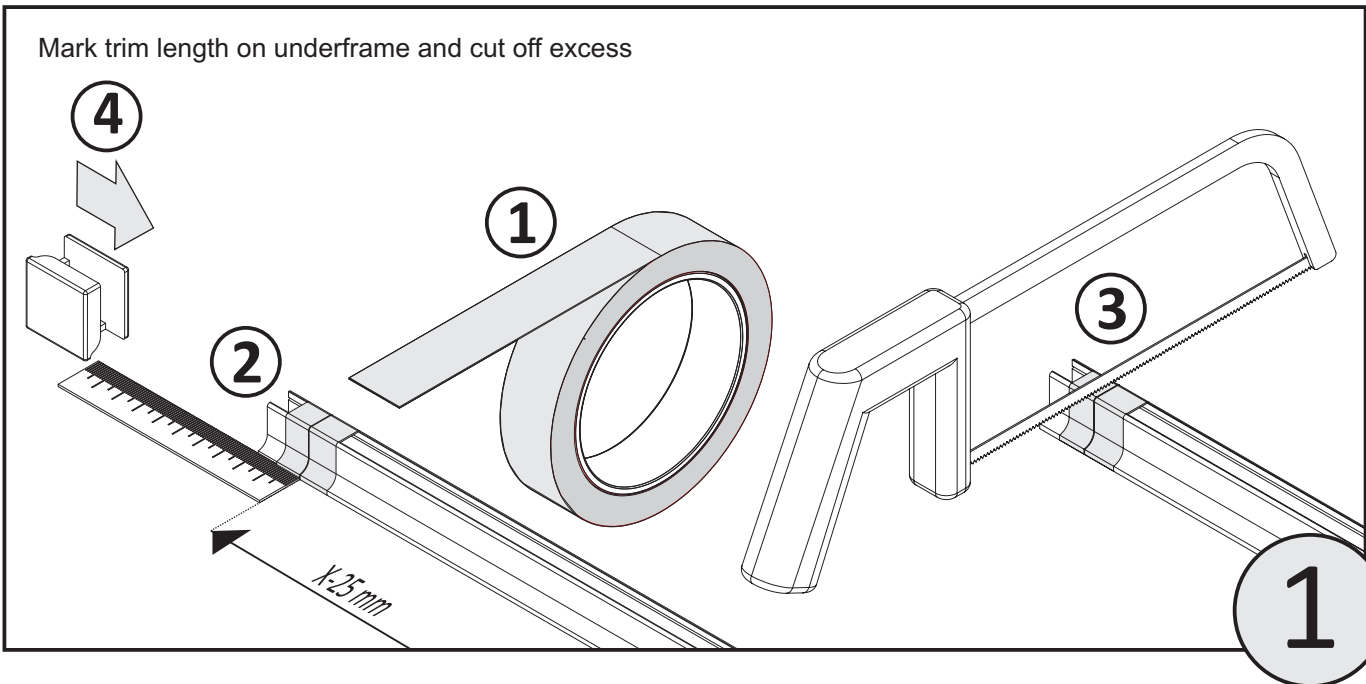
Allen or Hex Keys



Check that tray is level



Measure the length "X" and subtract 25 mm for the Corner Cover Plate. This is the trim length for the underframe.



Mark trim length on underframe and cut off excess

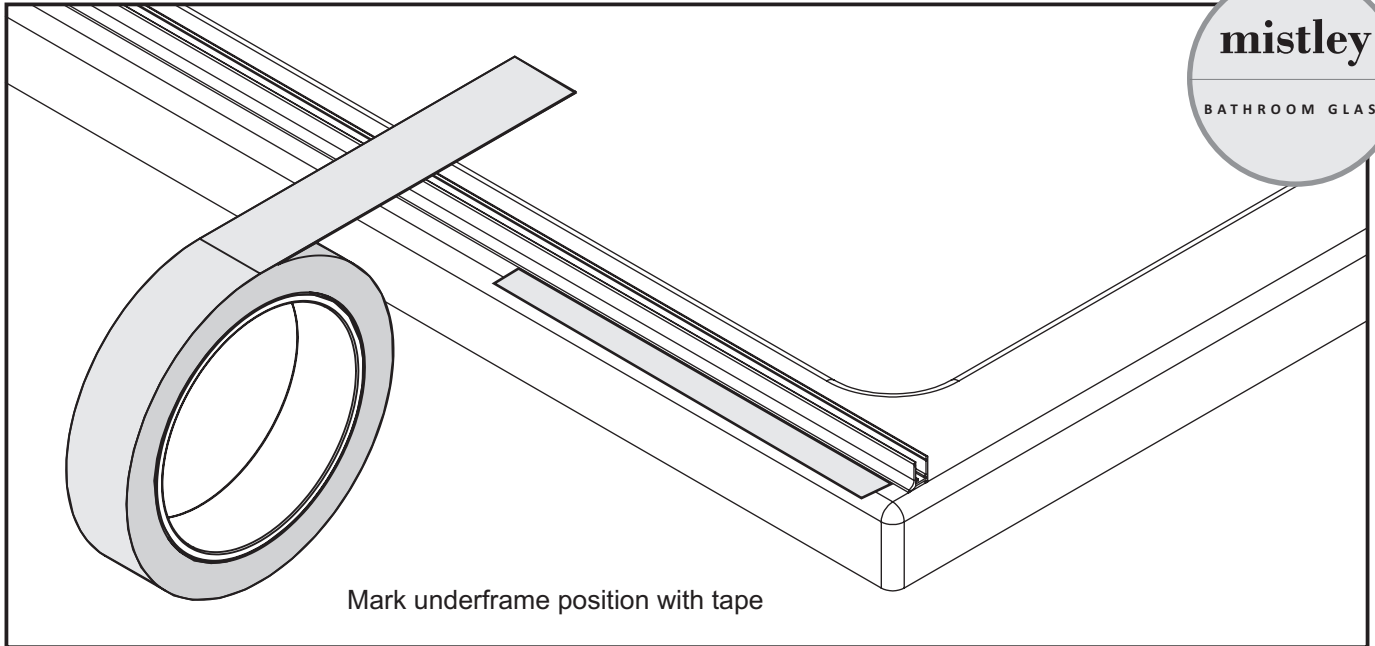
4

1

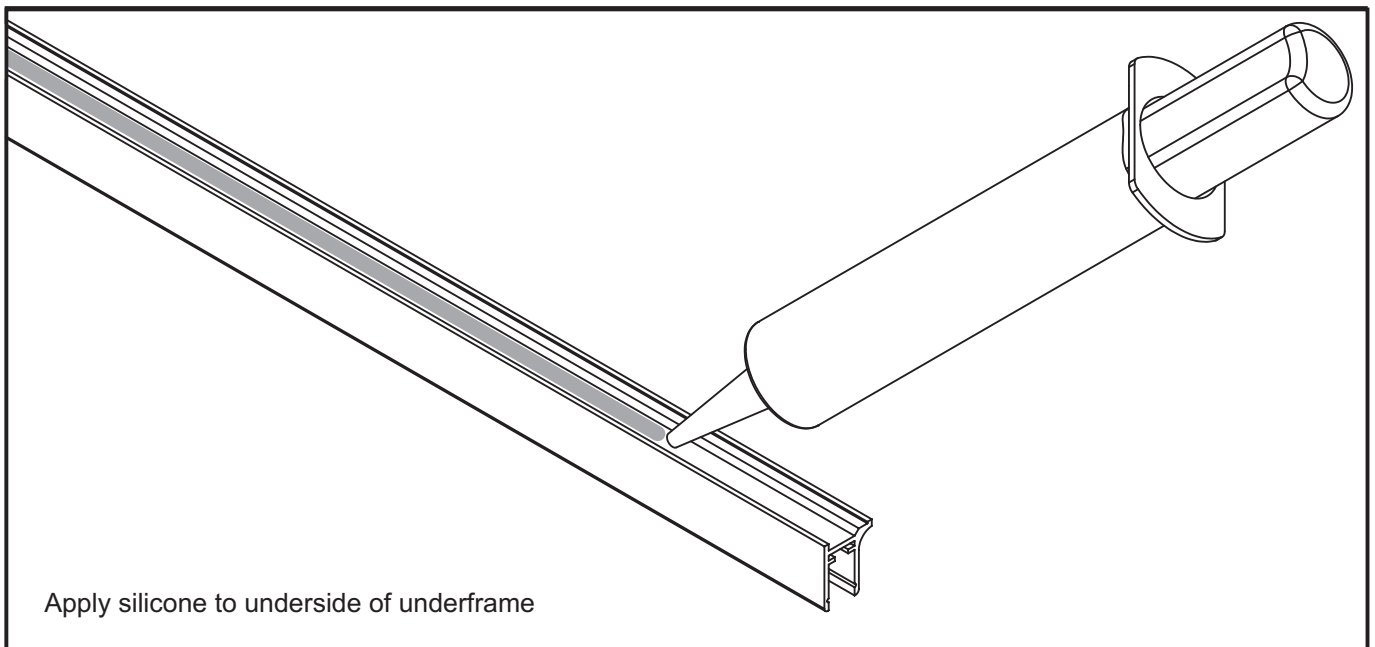
2

3

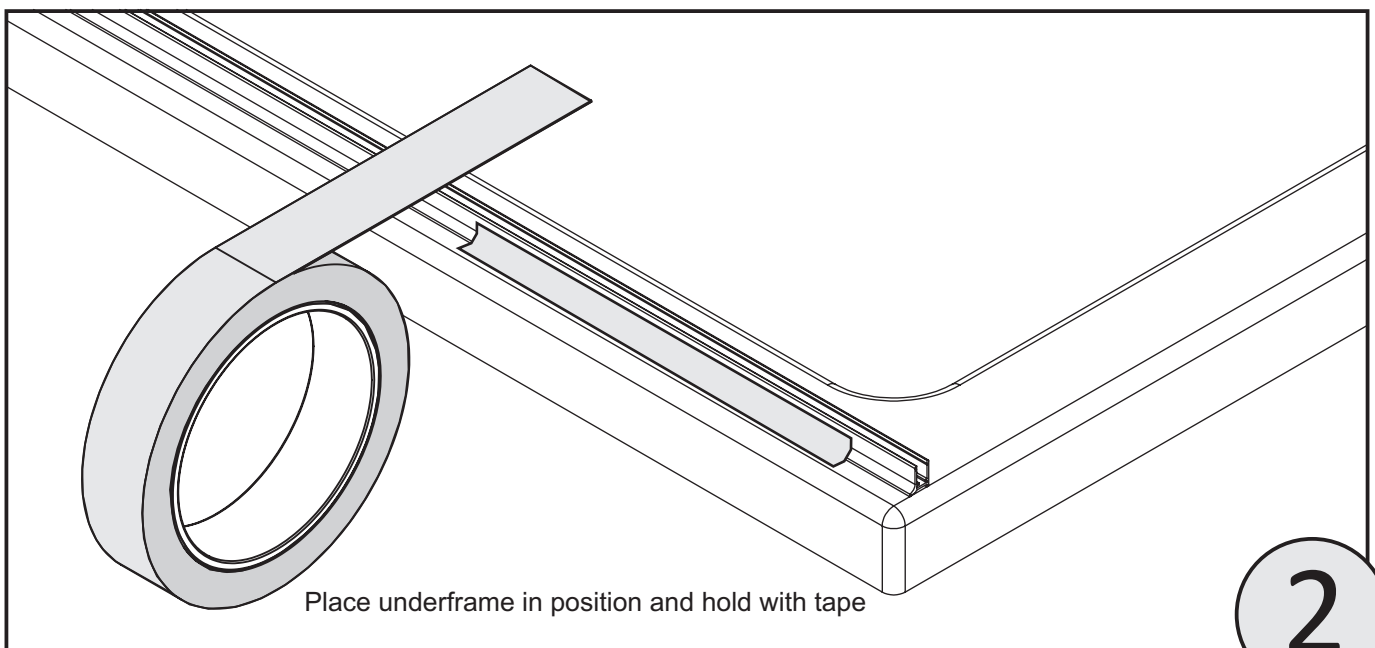
1



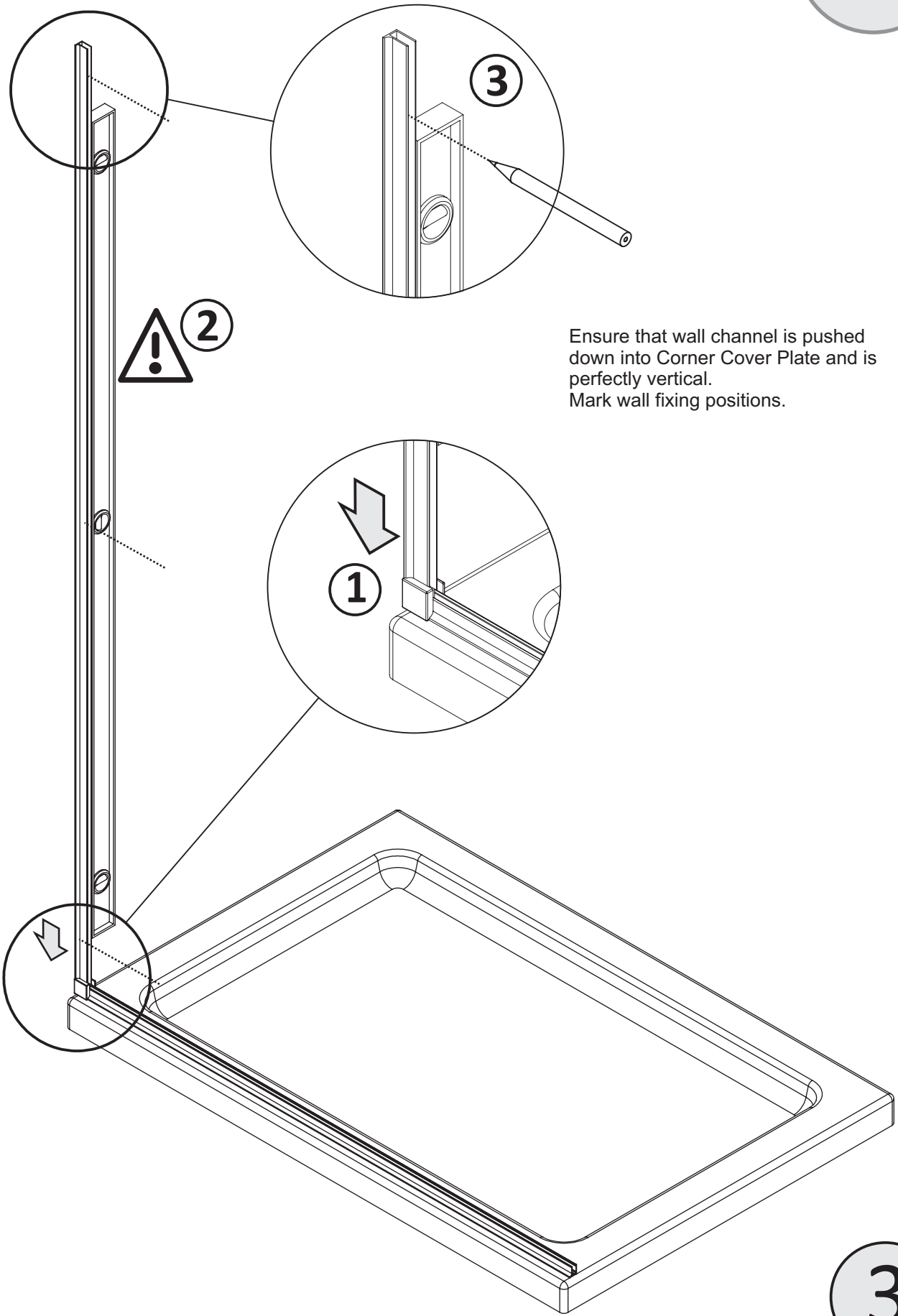
Mark underframe position with tape



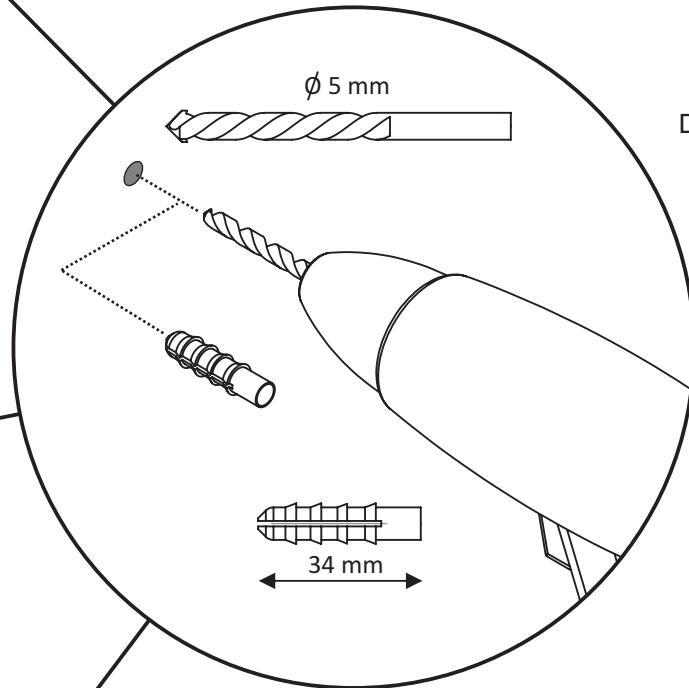
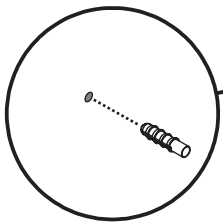
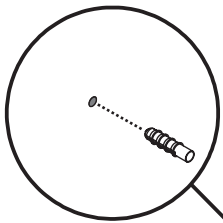
Apply silicone to underside of underframe



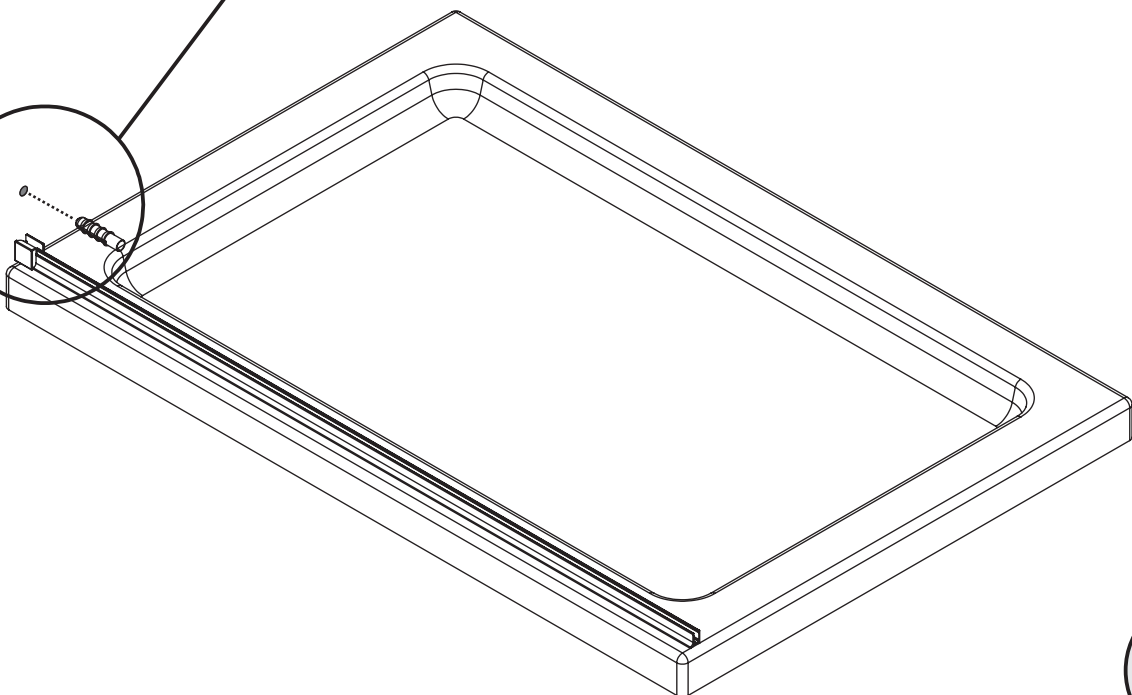
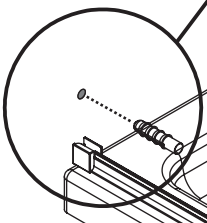
Place underframe in position and hold with tape

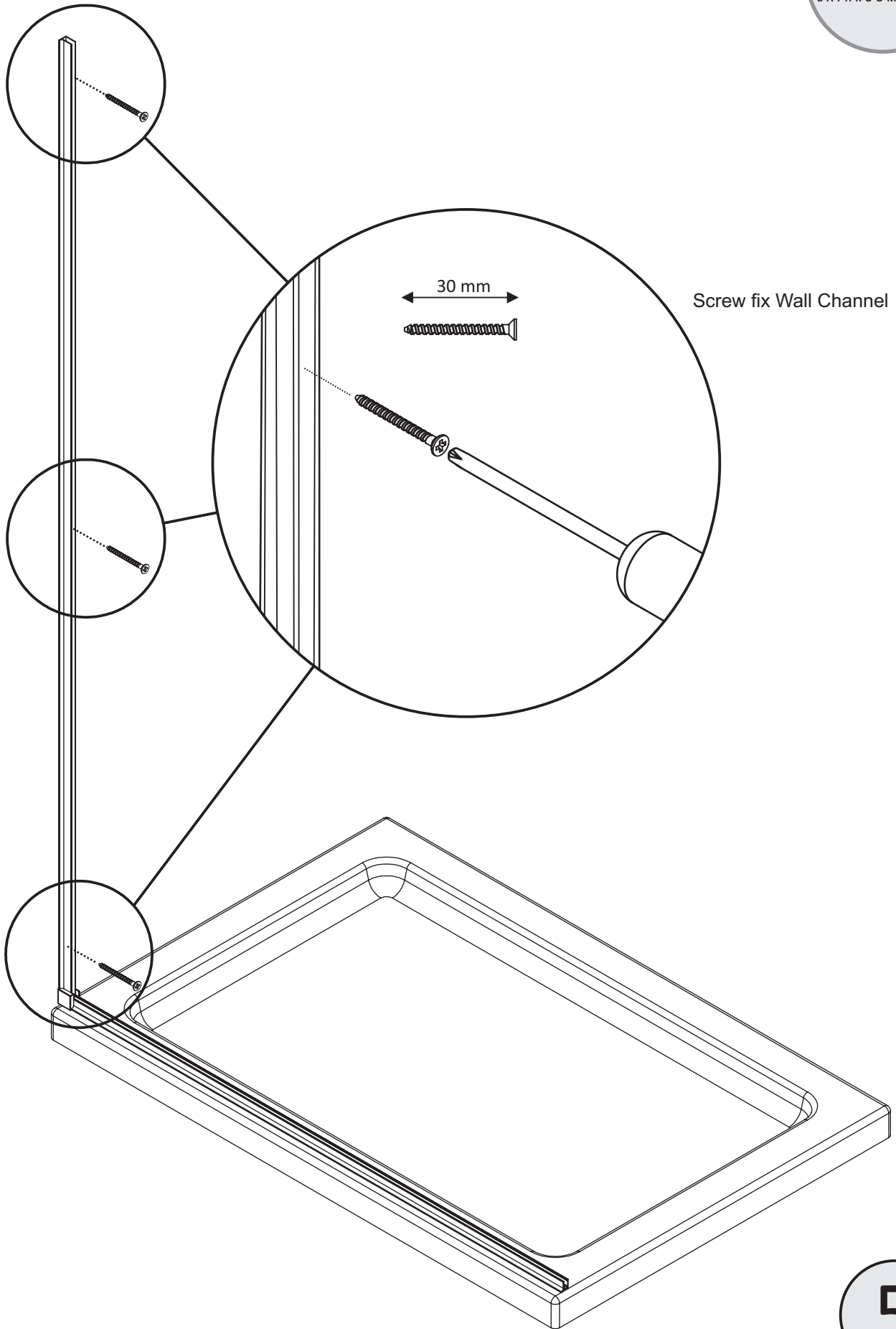


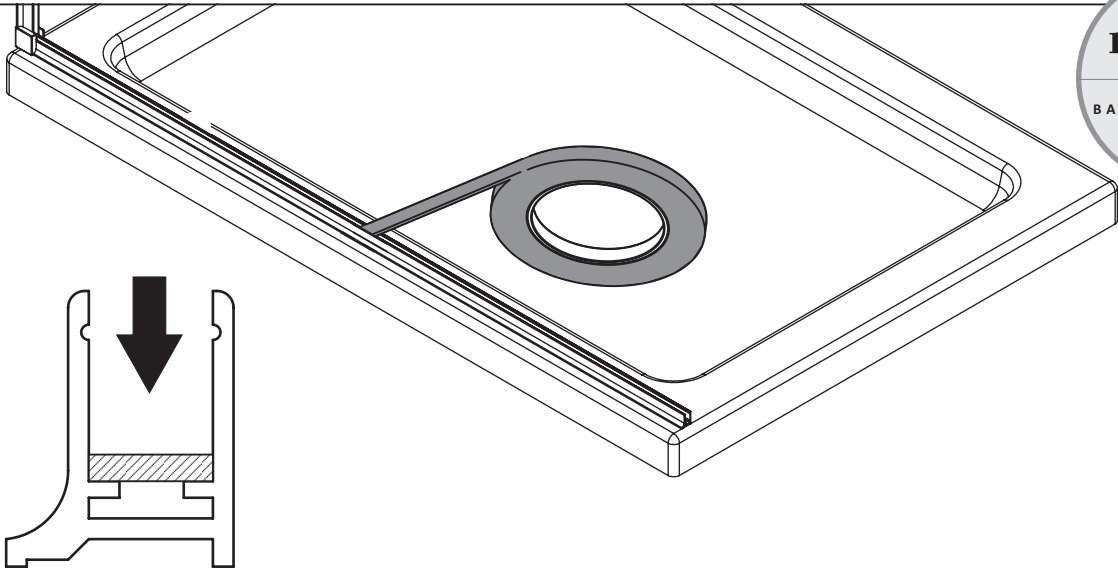
Ensure that wall channel is pushed down into Corner Cover Plate and is perfectly vertical.
Mark wall fixing positions.



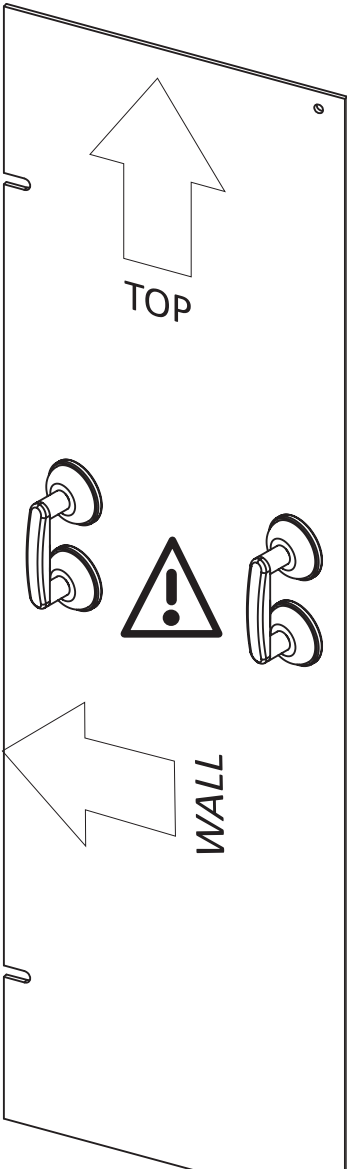
Drill and insert wall plugs



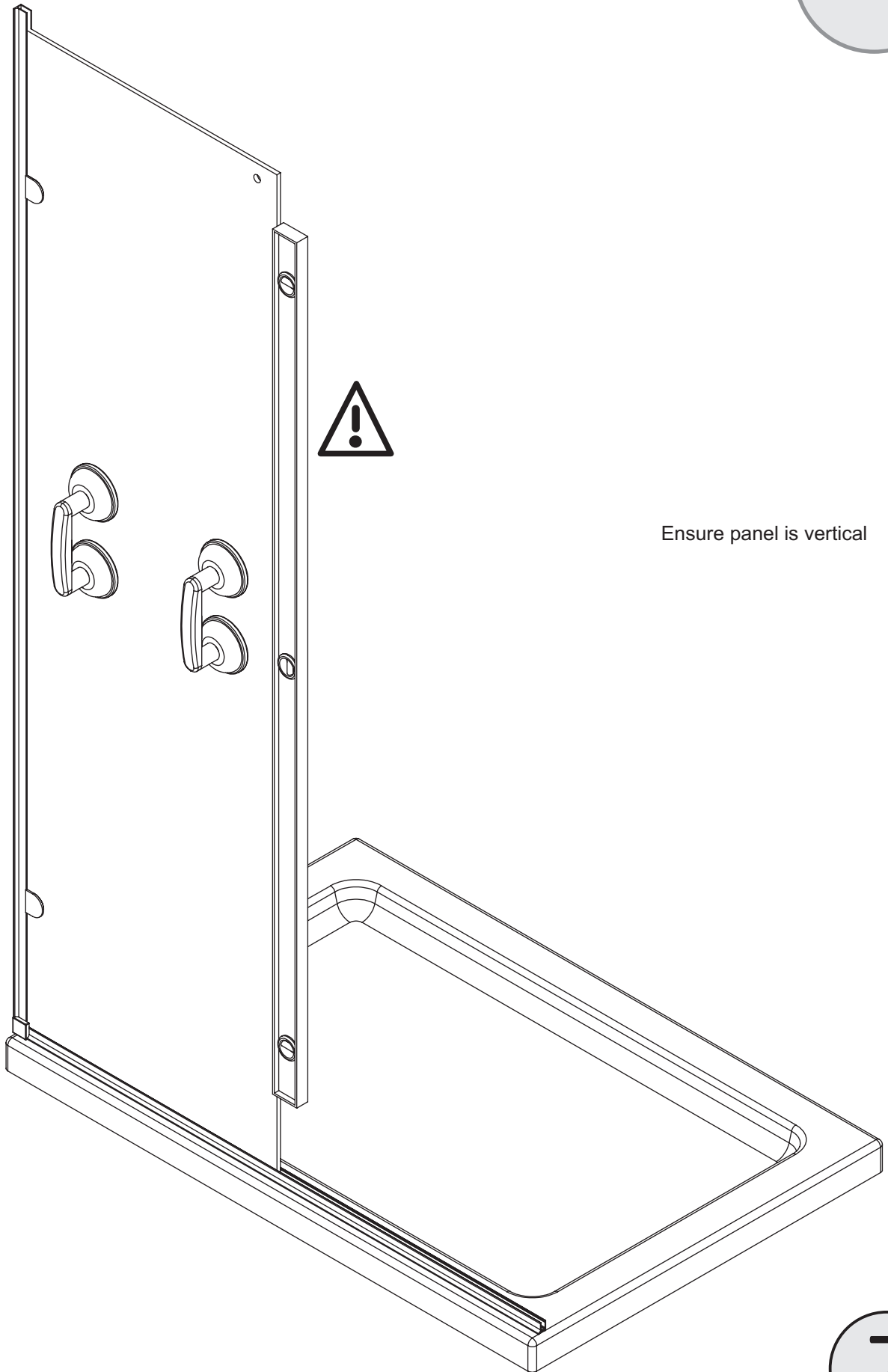




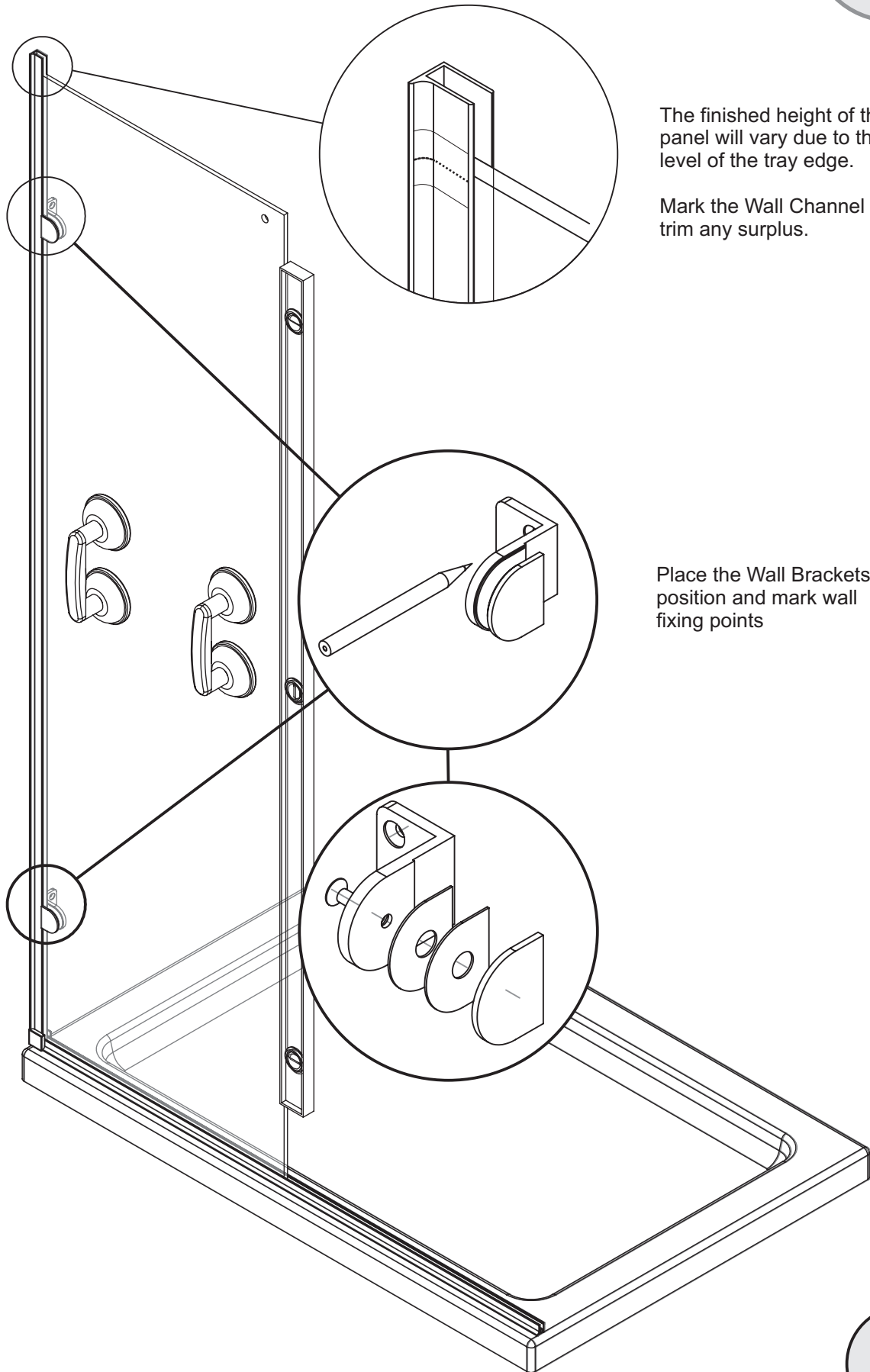
Fit rubber cushion strip in underframe to seat panel



Use glass lifters to position panel



Ensure panel is vertical

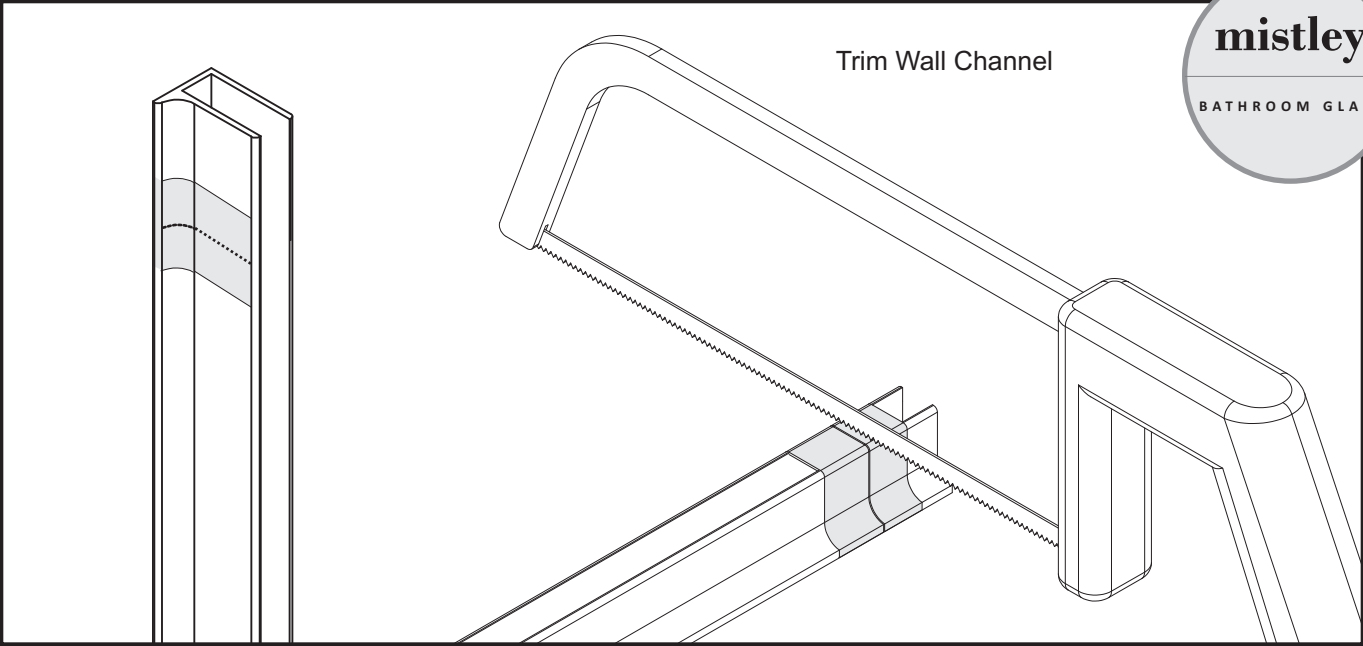


The finished height of the panel will vary due to the level of the tray edge.

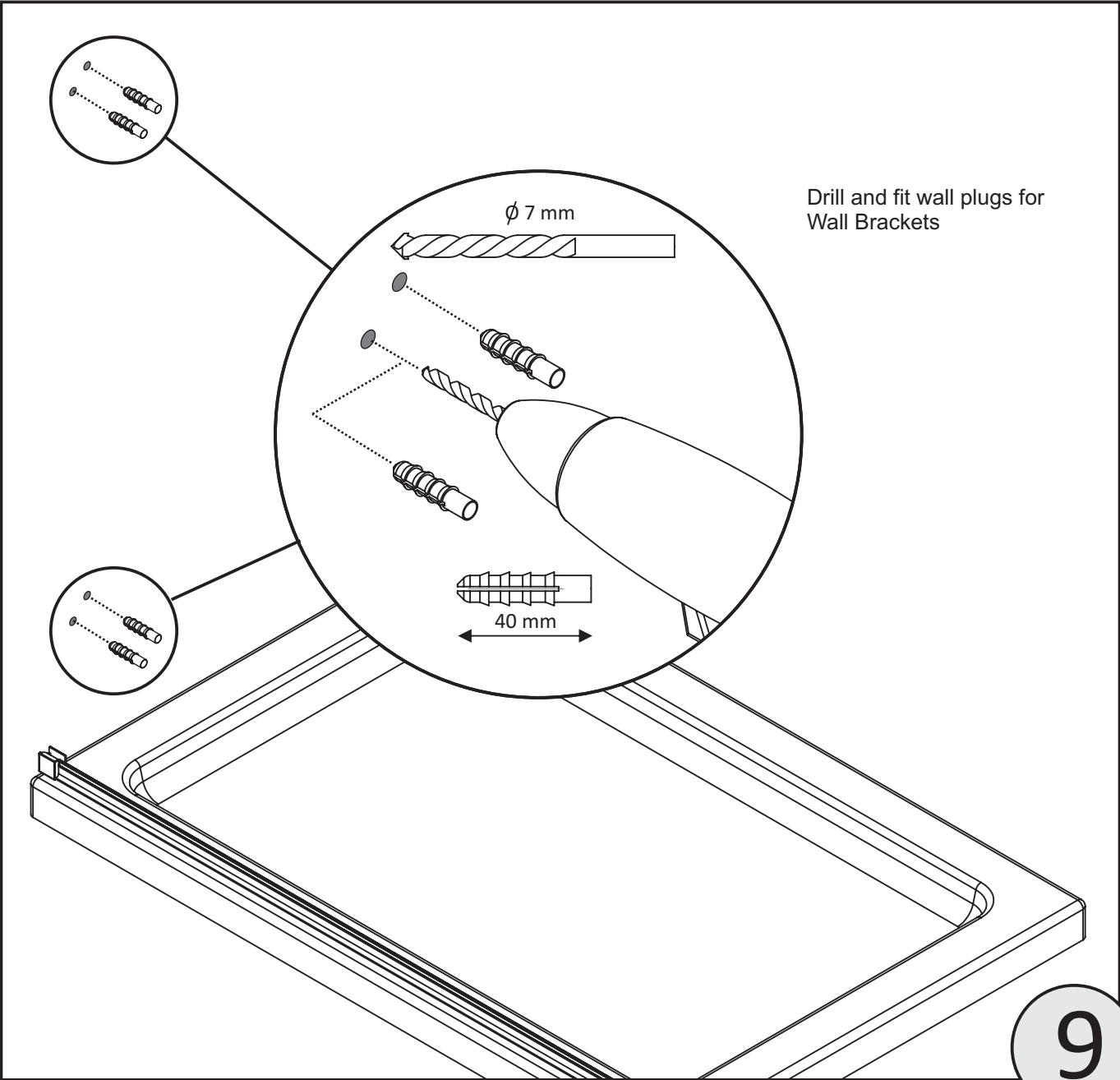
Mark the Wall Channel to trim any surplus.

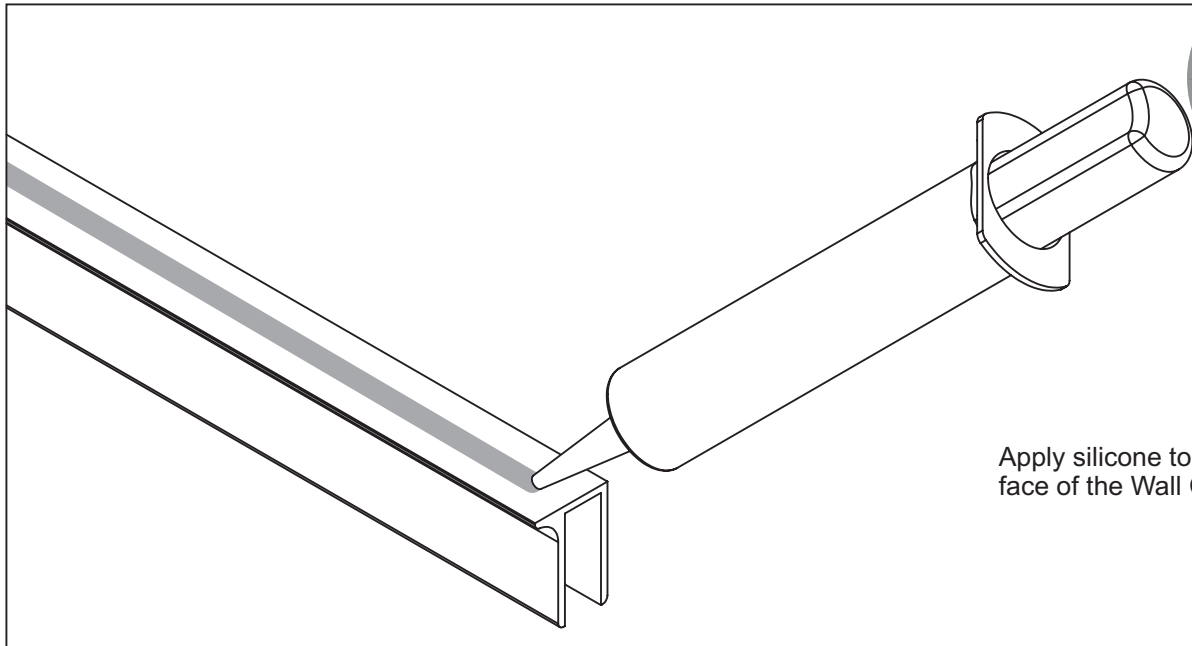
Place the Wall Brackets in position and mark wall fixing points

Trim Wall Channel

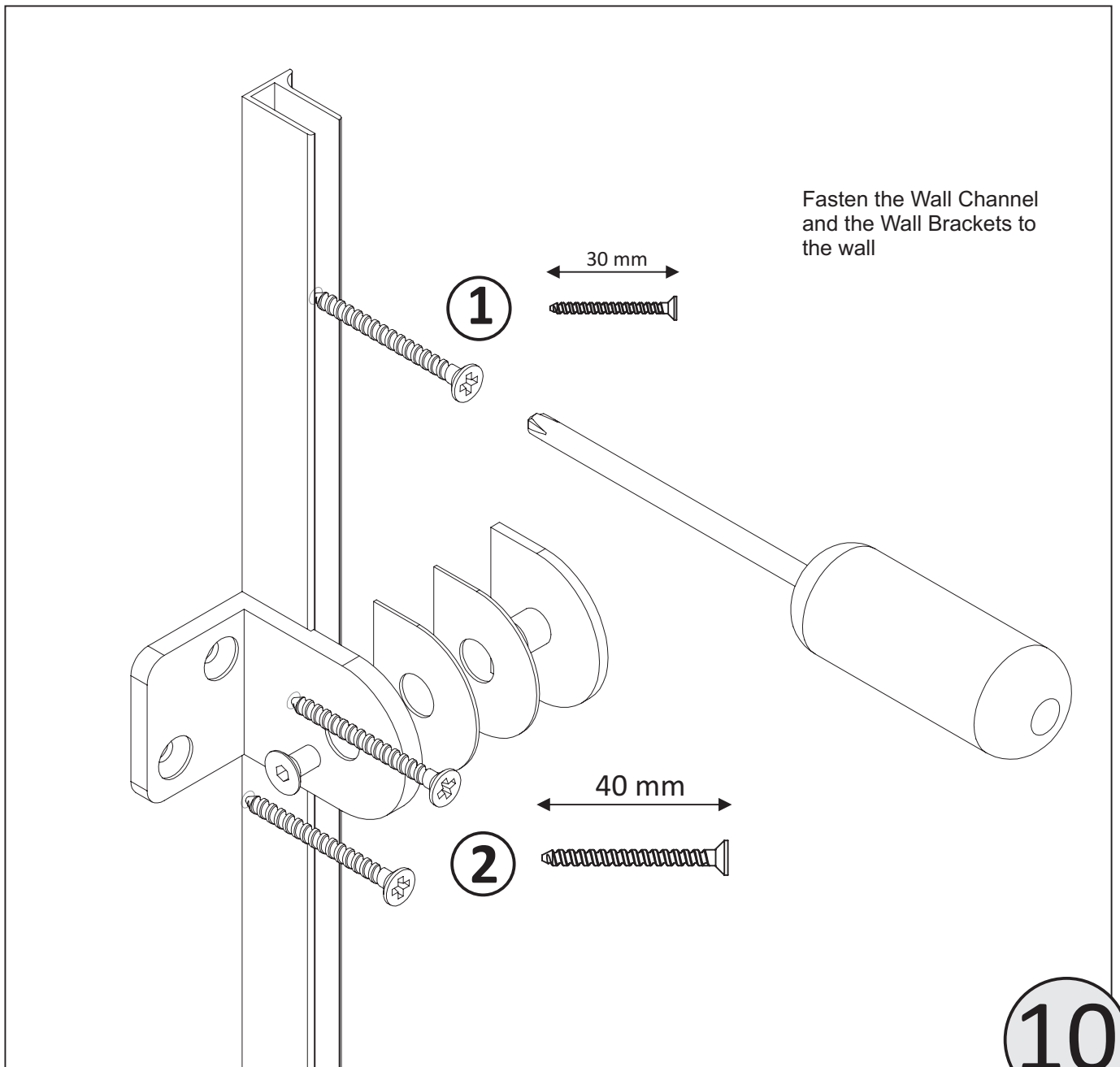


Drill and fit wall plugs for
Wall Brackets



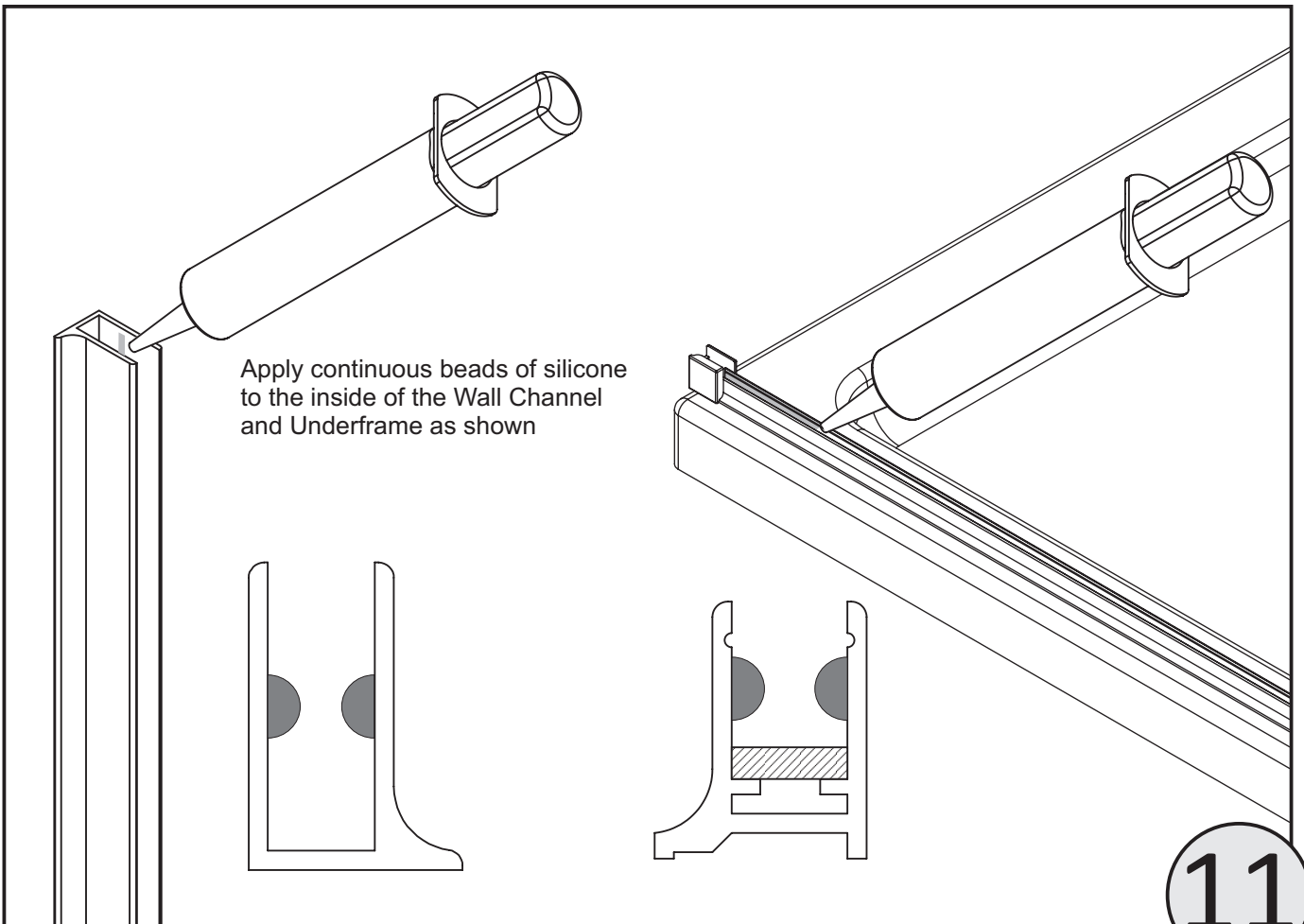
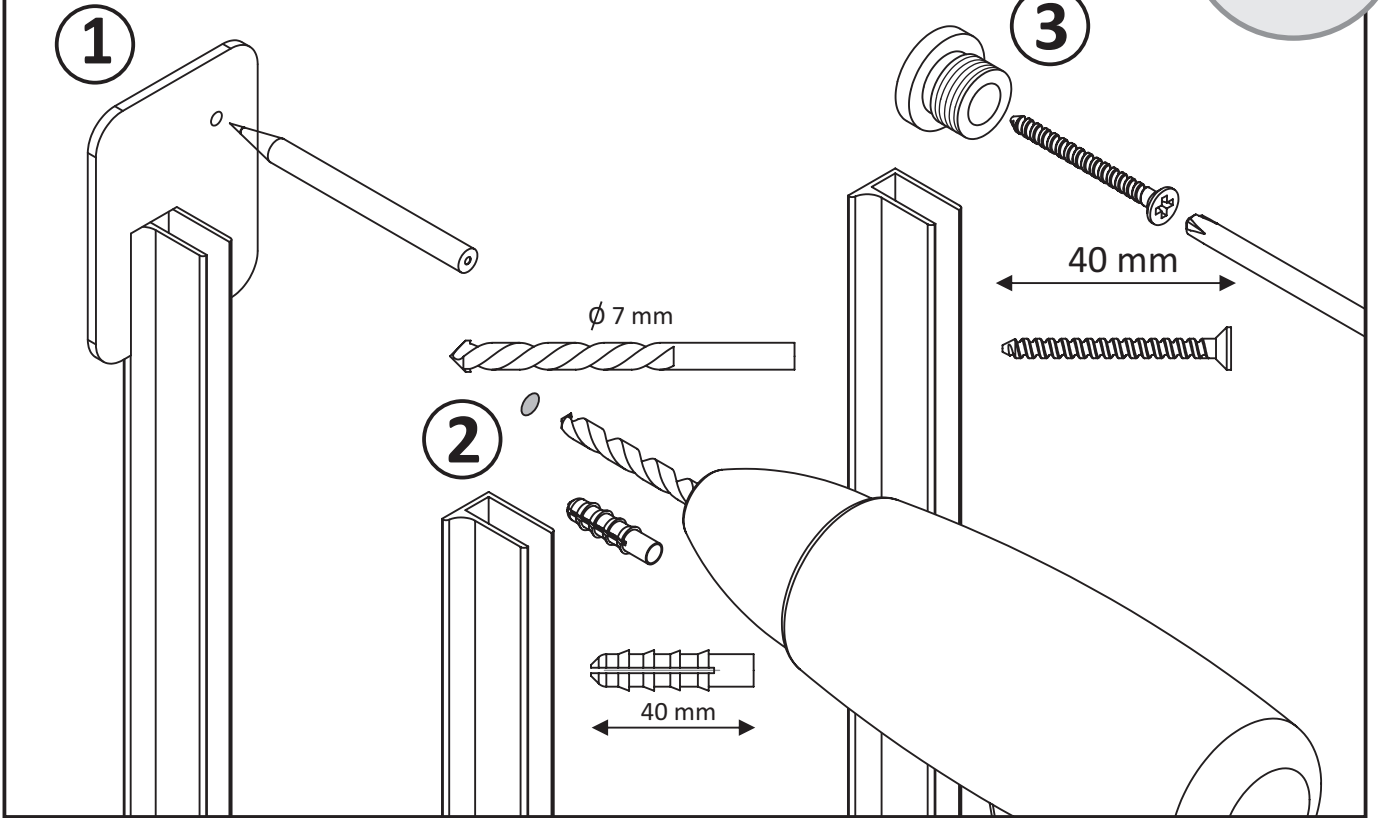


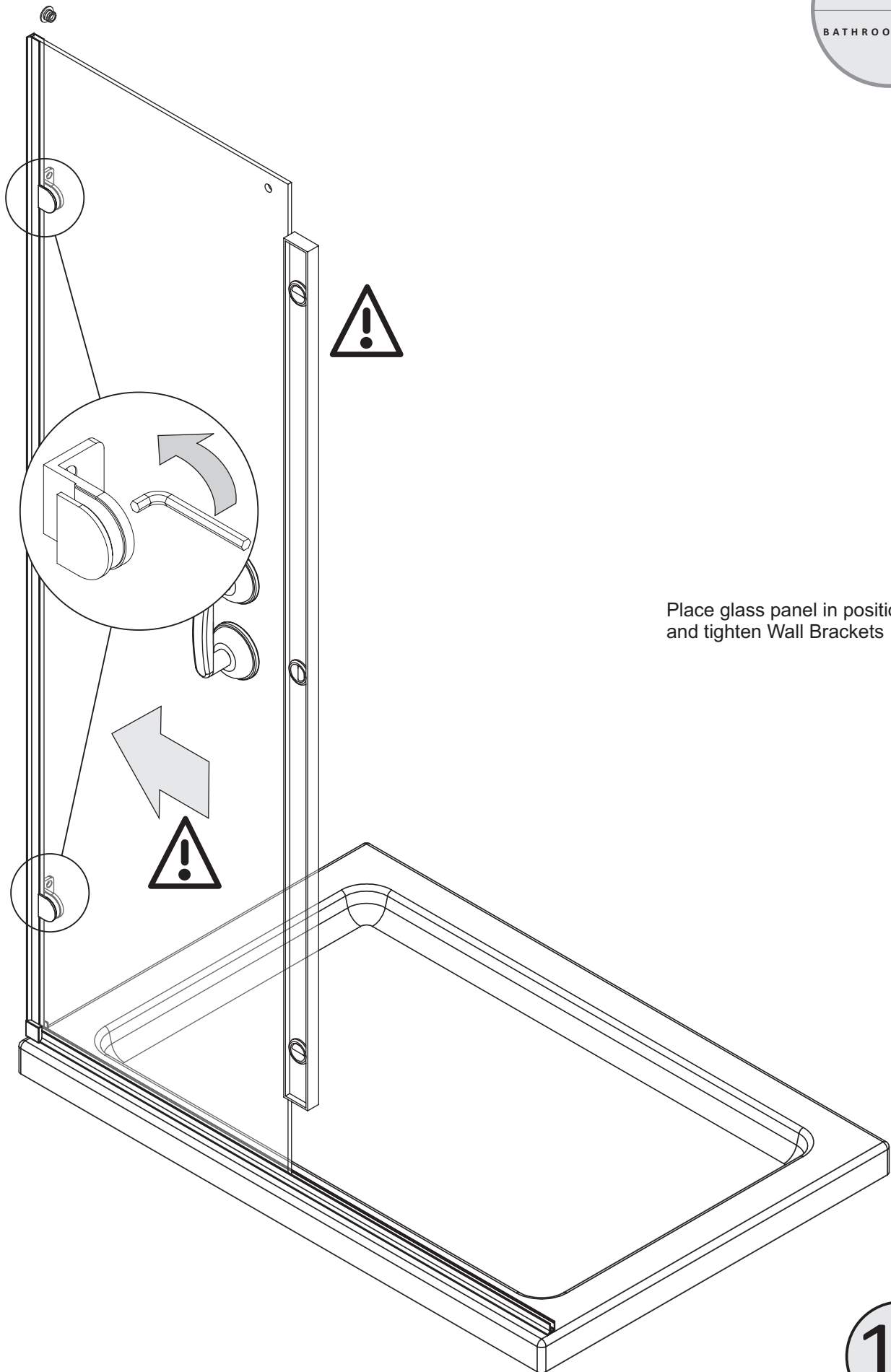
Apply silicone to the back face of the Wall Channel



Fasten the Wall Channel and the Wall Brackets to the wall

Fit the Rail to Wall Socket to the wall using the positioning template supplied





Place glass panel in position
and tighten Wall Brackets

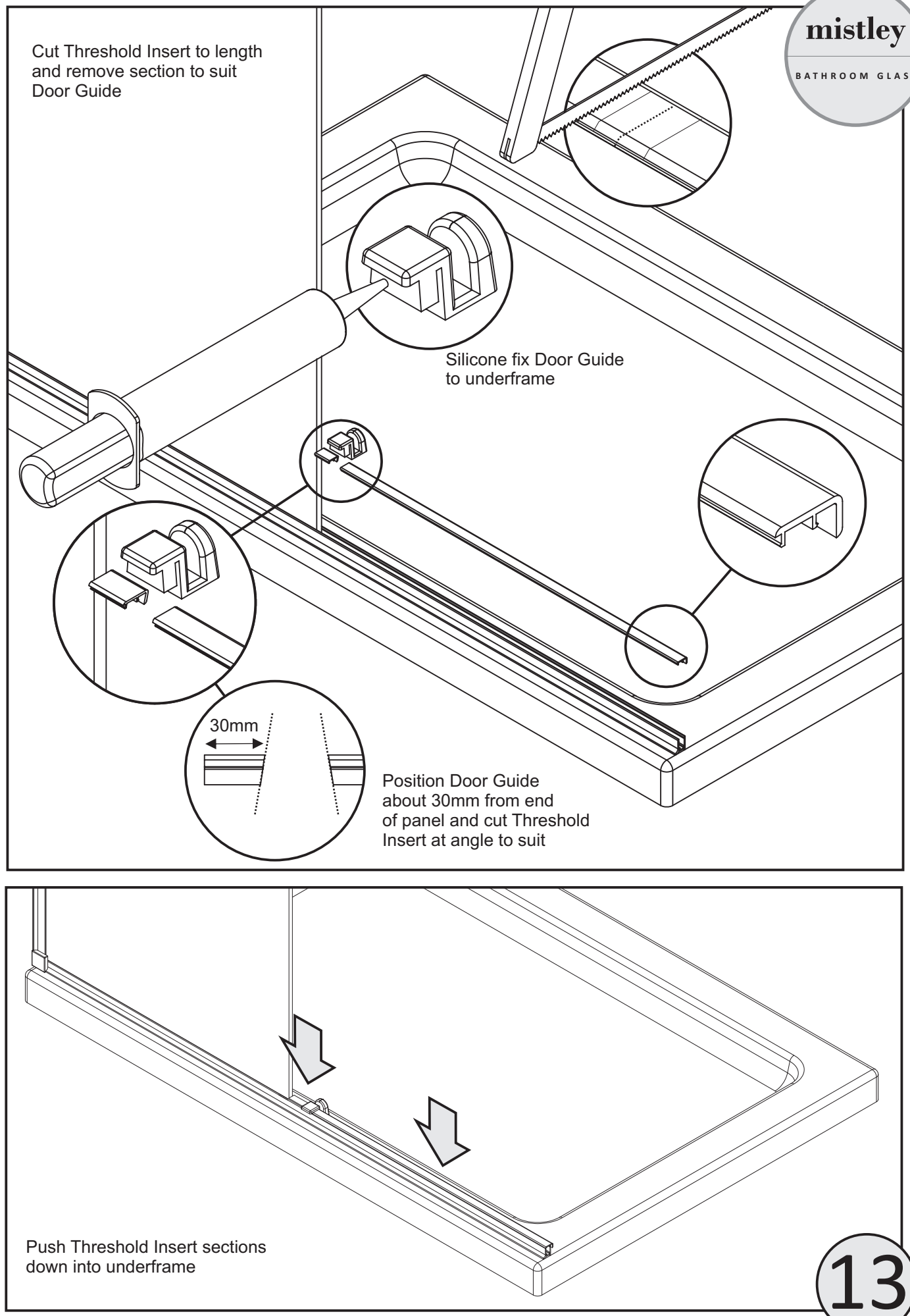
Cut Threshold Insert to length
and remove section to suit
Door Guide

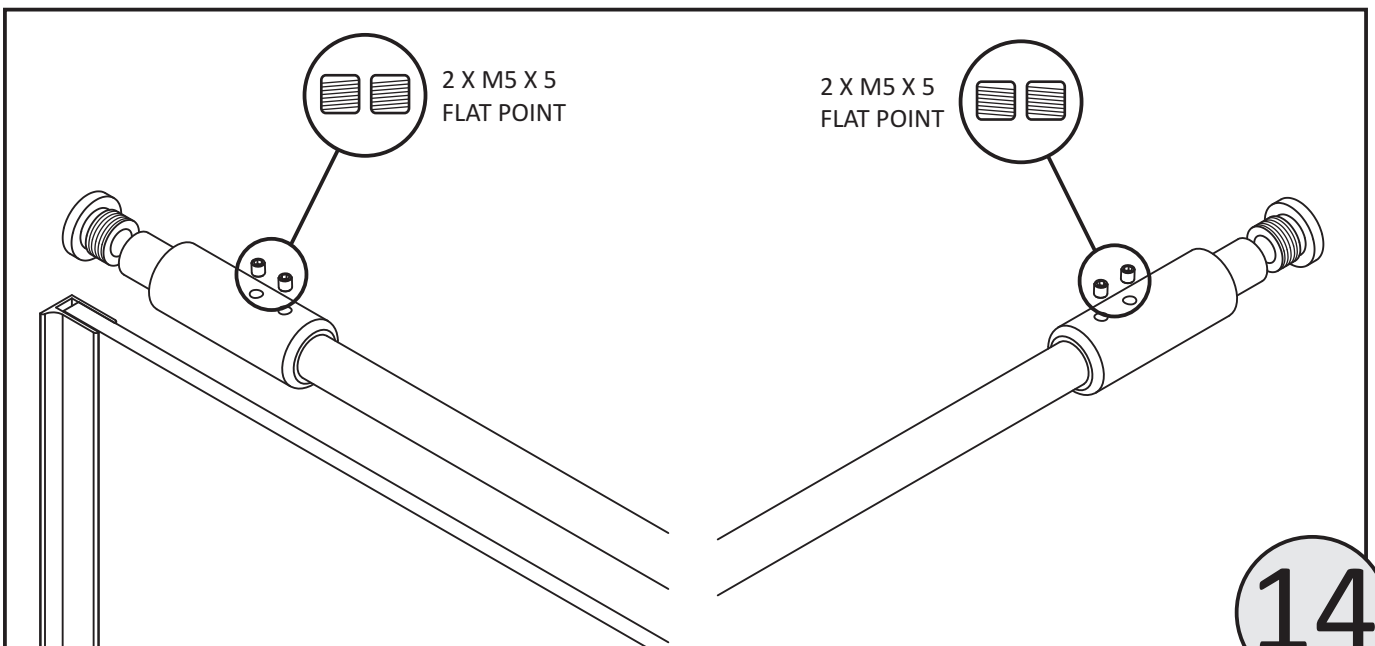
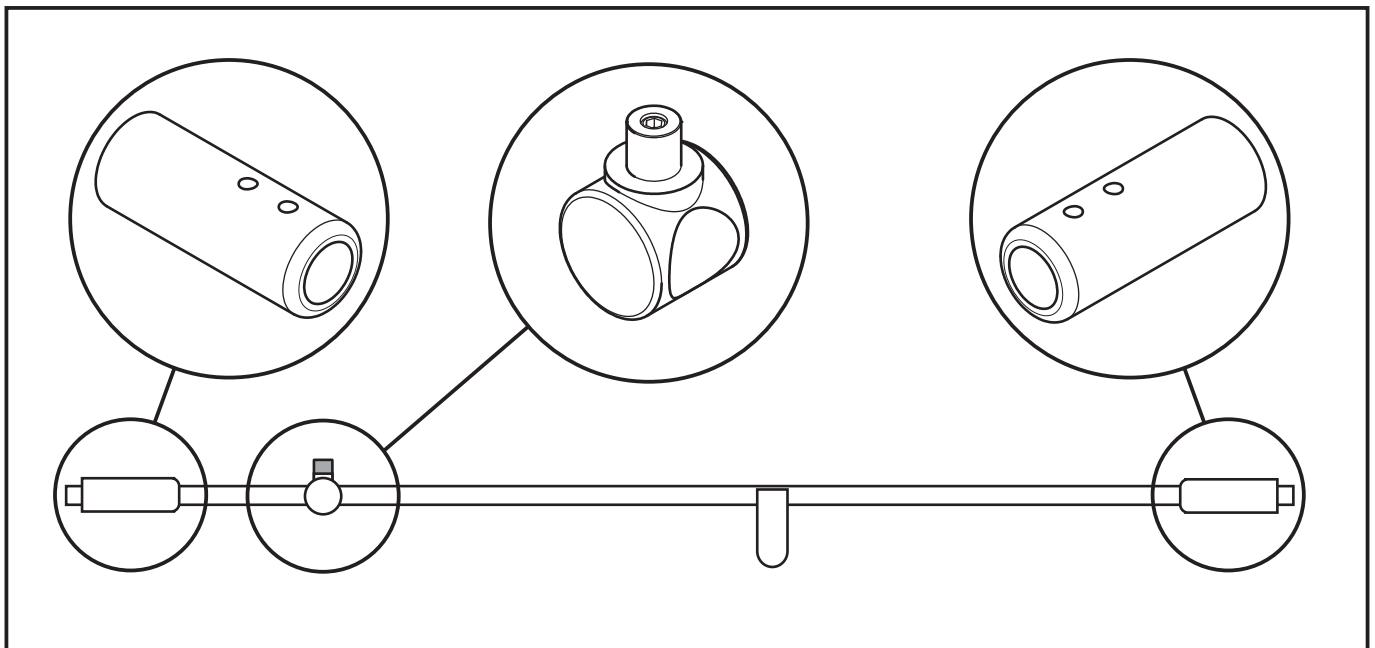
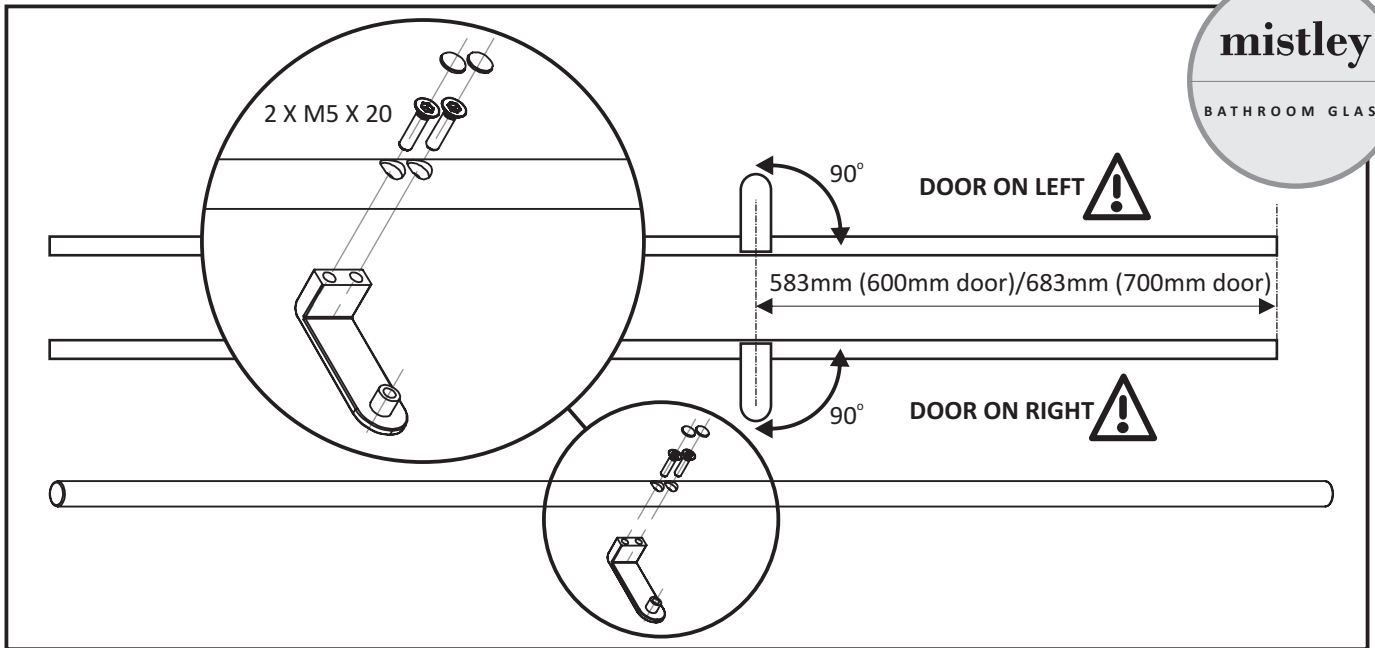
Silicone fix Door Guide
to underframe

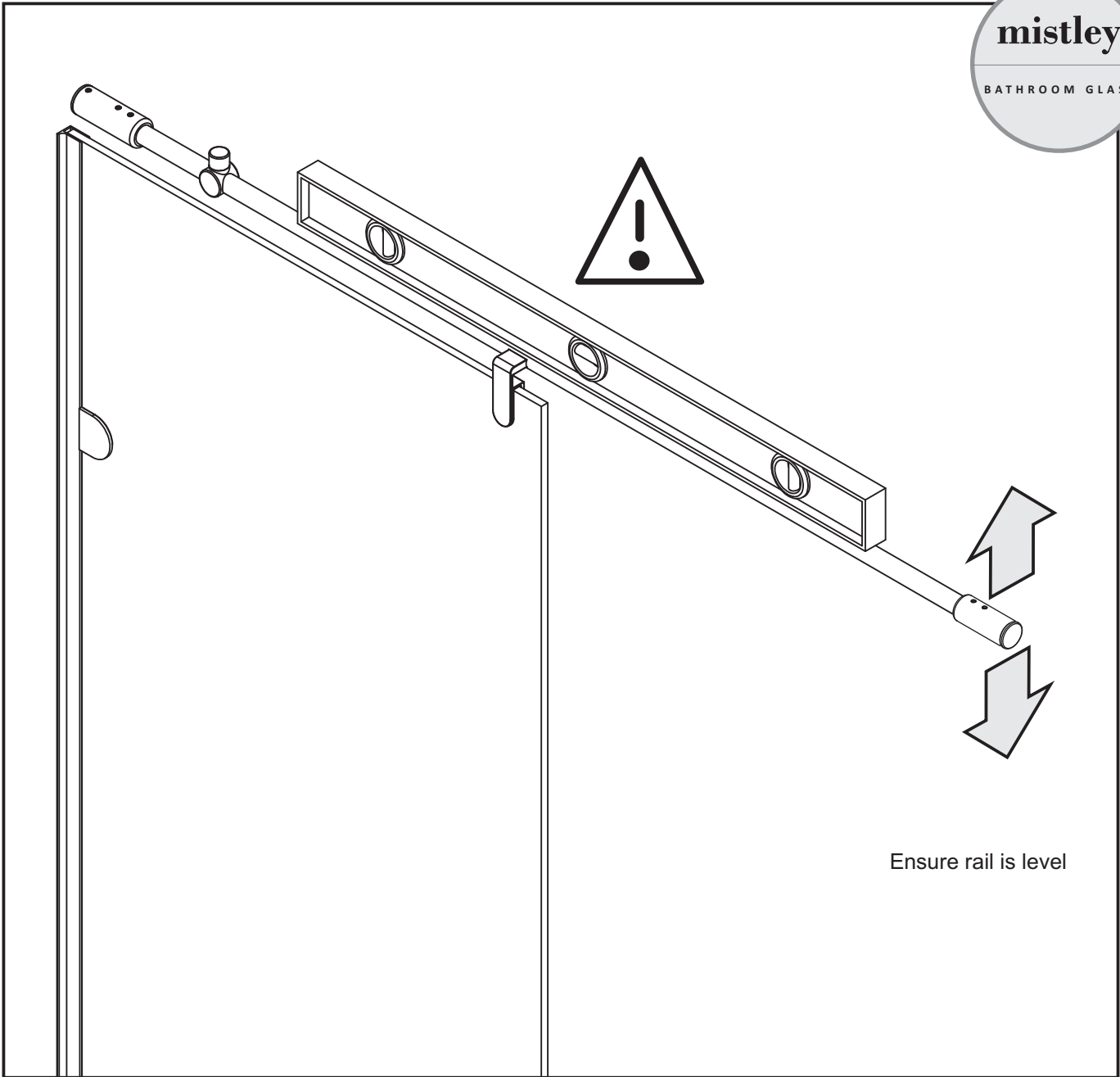
Position Door Guide
about 30mm from end
of panel and cut Threshold
Insert at angle to suit

30mm

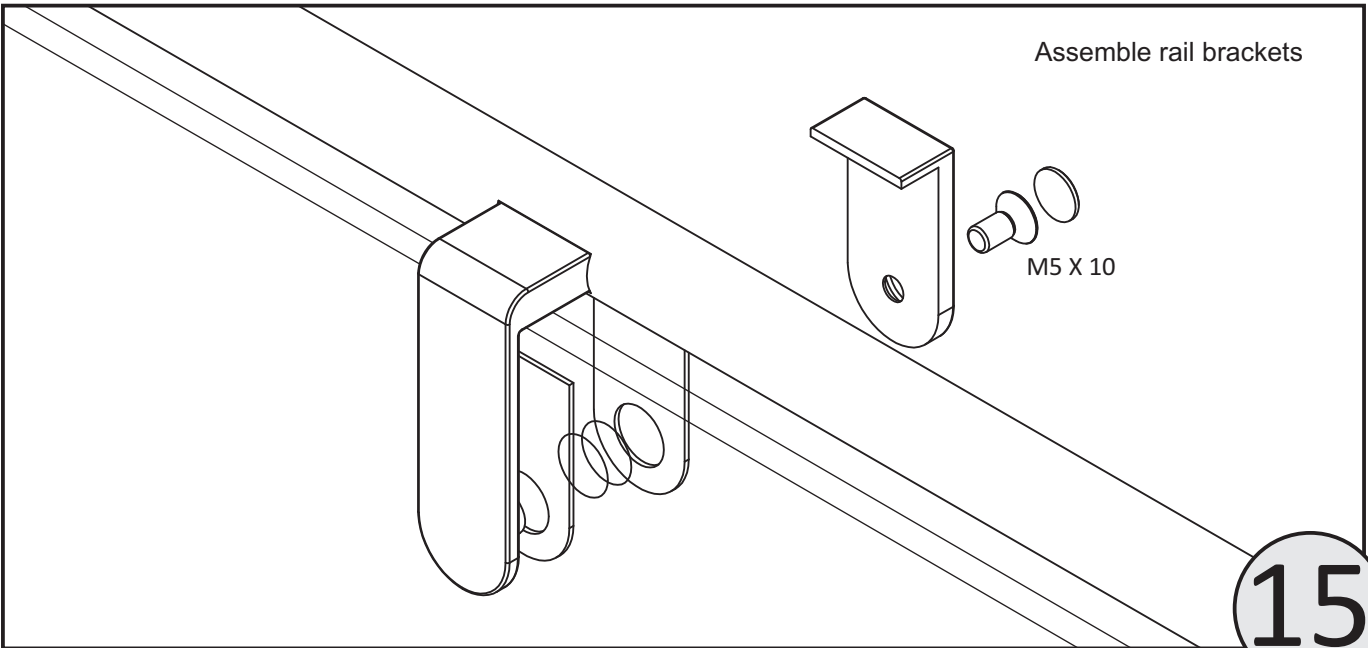
Push Threshold Insert sections
down into underframe



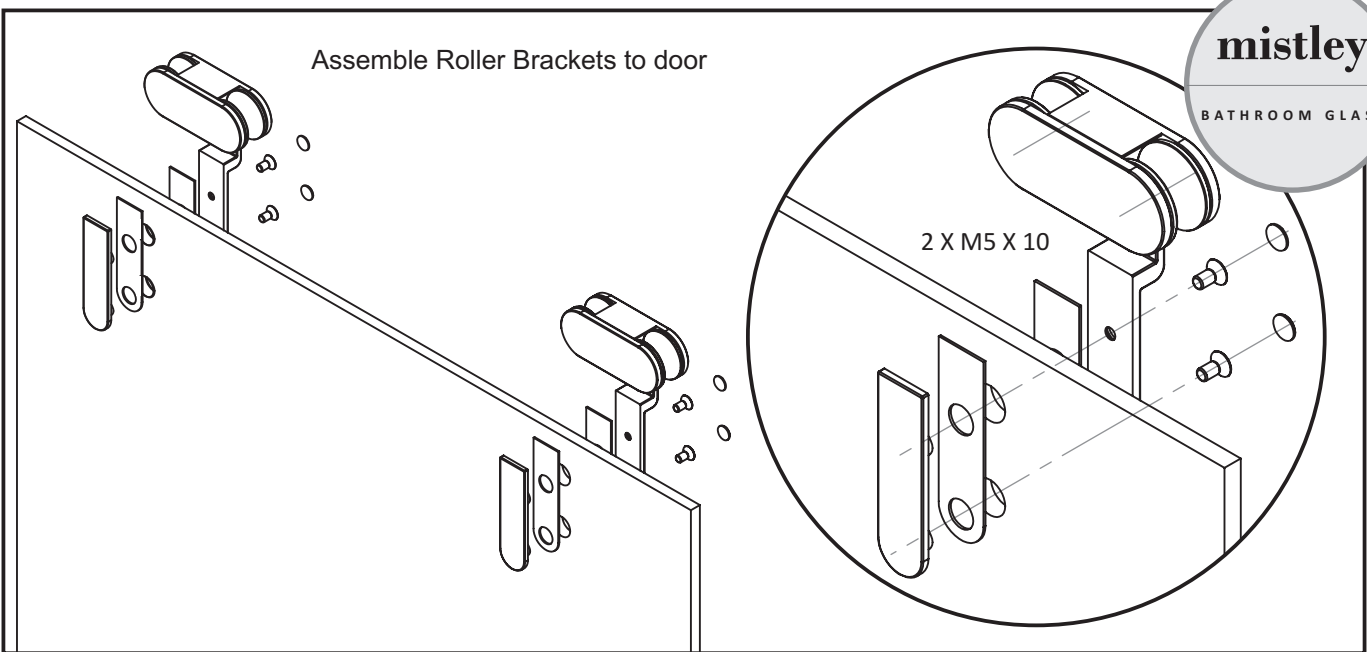




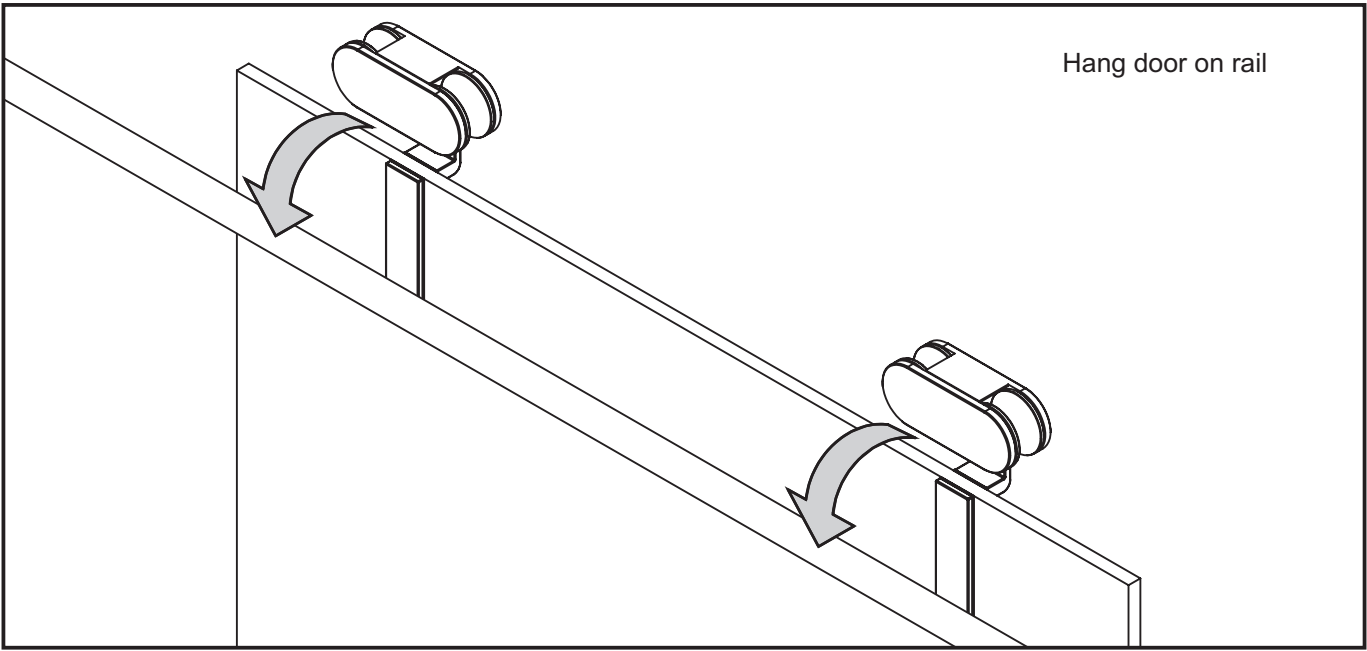
Ensure rail is level



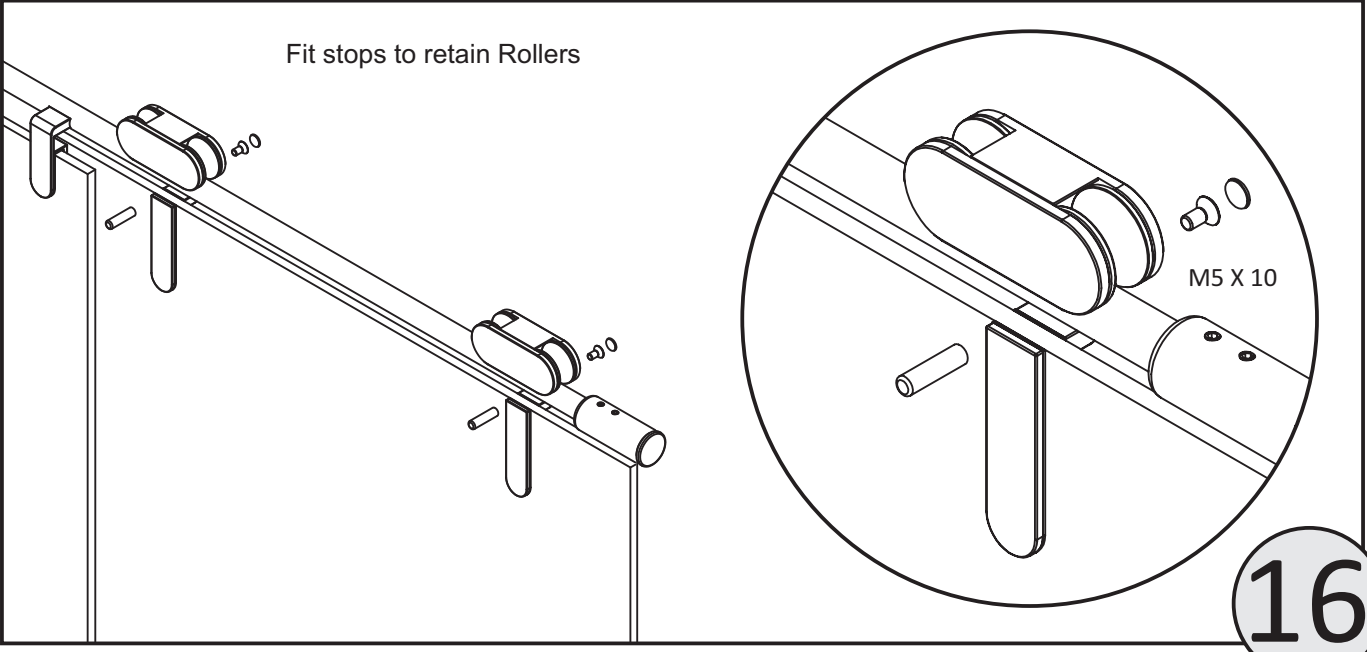
Assemble Roller Brackets to door



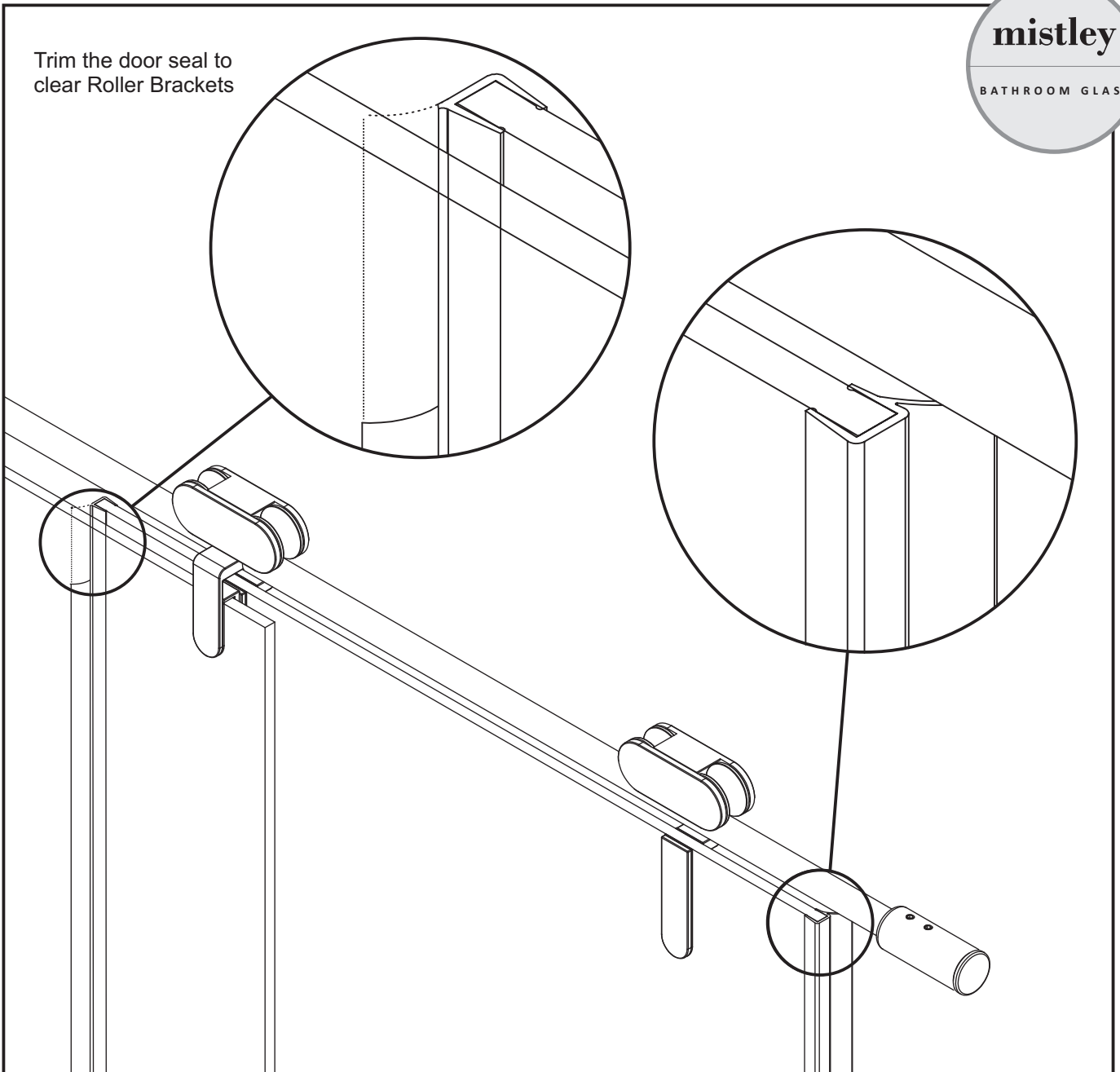
Hang door on rail



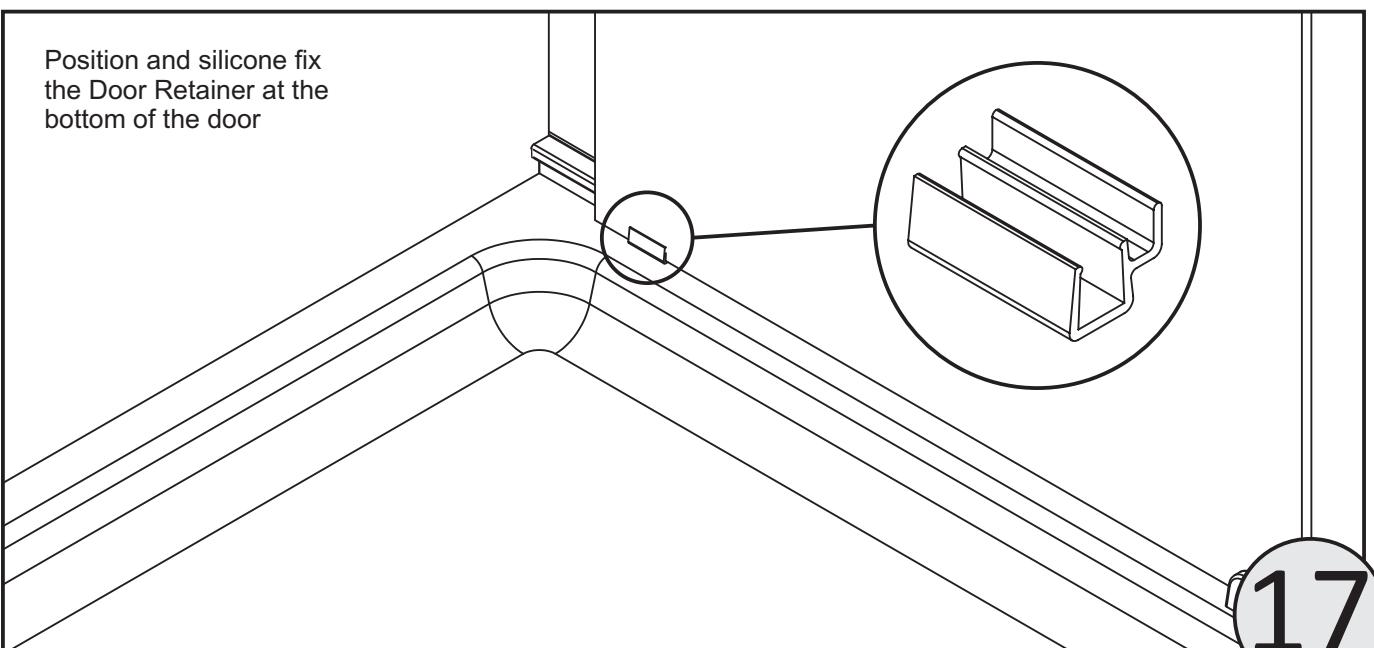
Fit stops to retain Rollers



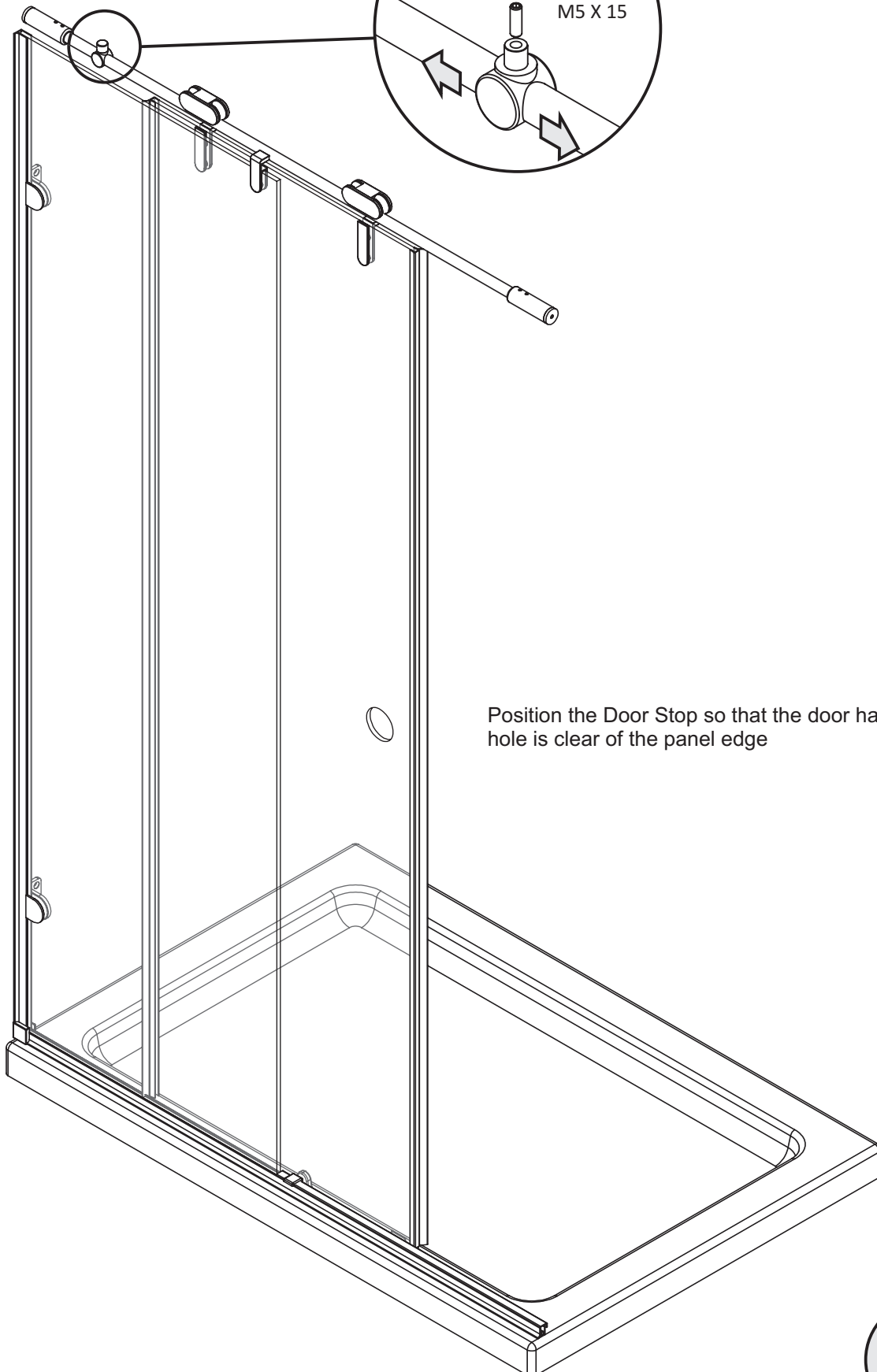
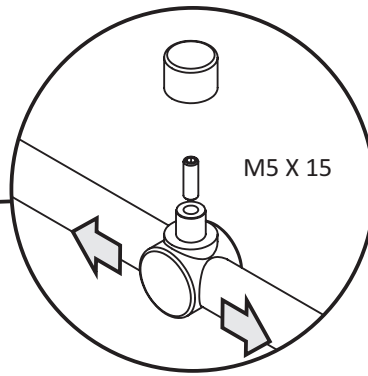
Trim the door seal to clear Roller Brackets



Position and silicone fix the Door Retainer at the bottom of the door



Tighten grub screw to fix door stop in position and push on rubber cap



Position the Door Stop so that the door handle hole is clear of the panel edge